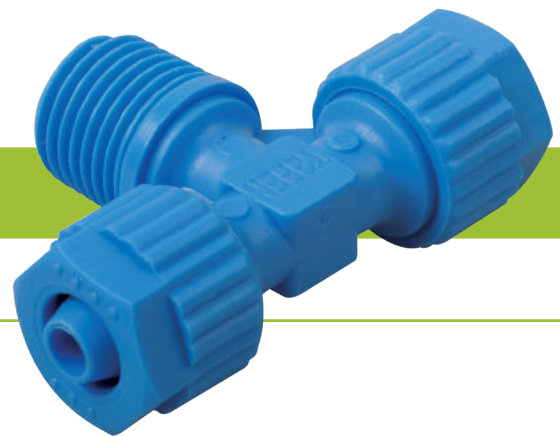


FLOW PRODUCTS

Fittings • Tubes • Valves • Nozzles



INDEX

ABOUT TEFEN

Tefen Flow and Dosing Technologies is a manufacturer of fittings and flow products, with more than 40 years of experience in product development. Tefen manufactures and sells a wide range of products in the connecting and fluid categories.

Tefen fittings are simple to use and require no special tools to enable reliable leak-free connections.

Our products serve a broad spectrum of international market sectors such as automation, pneumatics, hydraulics, medical device, and other industrial applications, and are also used for the irrigation industry.

Tefen customers rely on innovative products and solutions that provide uncompromising connections, outstanding performance, unmatched reliability and long service life. Our application-specific solutions create value for our customers and provide them with competitive advantage.

Tefen's dedication to quality and fine customer service has won the confidence of loyal and satisfied customers all over the world.

Tefen is certified for ISO 9001:2008 and we meet international standards.



Technical Information	4
Fittings	7
Fittings PVDF	9
Tight Push - ACETAL	38
Barb Block - Reinforced Polypropylene	44
Barb Connectors - Polypropylene	55
Hose Fittings - Nylon 6-6	60
Threaded Connectors	74
Quick Release	81
Custom Made	82
Flow Products	85
Tubes LDPE	86
Tubes HDPE	88
Tubes PVC	89
Valves	90
Spraying and Fogging Nozzles	92
Air Blow Guns	98

Recommended Tightening Torque

Thread Size	Nylon 66		PP		PVDF	
	Nm	ft lb	Nm	ft lb	Nm	ft lb
1/8"	0.1	0.07	0.01	0.01	0.1	0.07
1/4"	0.8	0.6	0.3	0.2	1	0.8
3/8"	4	3	1	1	5	3
1/2"	6	4	2	2	8	6
3/4"	8	6	5	4	16	12
1"	10	7	8	6	26	19

Fittings Tolerances (According to ISO 2768-c)

Size mm	Tolerance
1-6	±0.3
6-30	±0.5
30-120	±0.8

Chemical Resistance

	Water		Acids		Detergents	
	Cold	Hot	Weak	Strong	Weak	Strong
LDPE	3	1	3	2	3	3
HDPE	3	3	3	3	3	3
Nylon 6-6	3	2	1	1	3	2
Polypropylene	3	3	3	2	3	3
Acetal	3	3	2	1	3	3
PVDF	3	3	3	3	3	3

1 - Bad 2 - Medium 3 - Good

Note:

Notice tube dimension differ between industries.
Fittings' dimensions refer to tube ID or OD, with respect to the common application.

Use thread seal tape

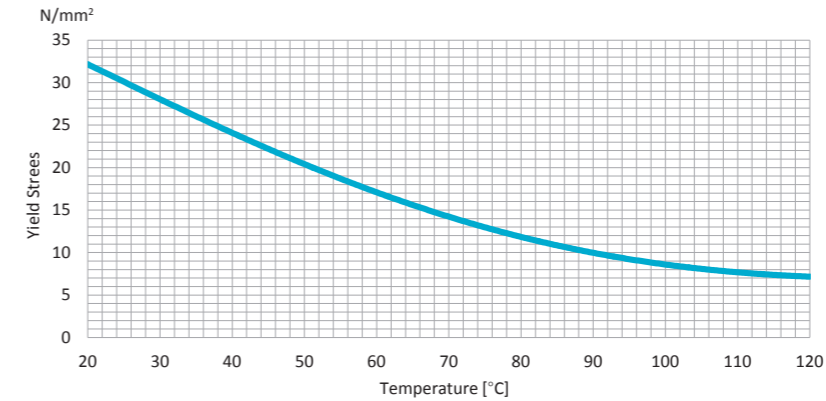


Minimum straight tube segment

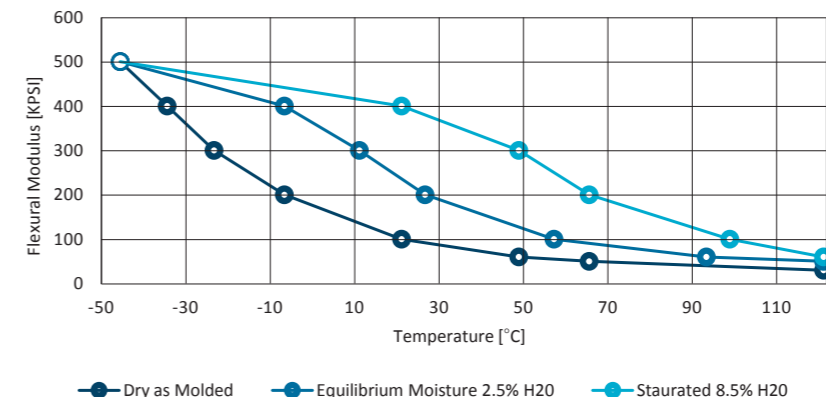


PROPERTIES

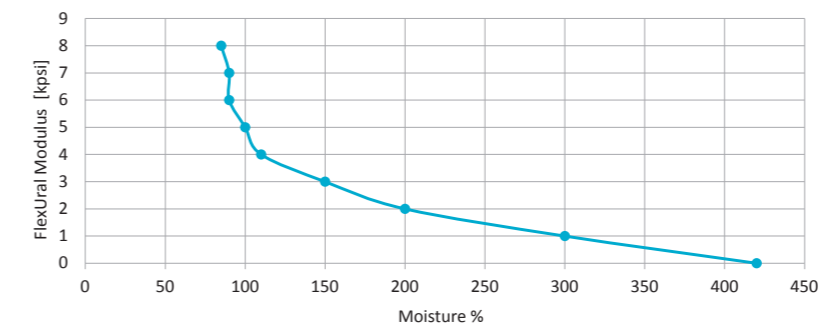
Yield stress of PP as a function of temperature



Flexural modulus VS. temperature



Flexural modulus VS. moisture content at 73 °F



Maintenance

Tefen's fittings require minimum maintenance. Nevertheless, a visual periodic inspection is recommended. If damage or abrasion is spotted, please replace the fitting, and make sure it fits the application.

Disclaimer

All technical data is based on theoretical values and experiments held in Tefen's laboratory. The information in this section is for reference only, and is set to help the designer in his job. Please consult engineering department for further details and advice.

Please Note:

Tefen is constantly seeking ways to improve the specifications of its products. Whilst every effort is made to produce up-to-date literature, this brochure should not be regarded as an infallible guide to current specifications, nor does it constitute an offer for the sale of any particular product. Prospective purchasers of the products from Tefen should satisfy themselves at the time they place the order as to the suitability of the products for the particular application. We have the right to alter specification without prior notice.

Fittings

Tight Push Fittings

Tefen tight push fittings are mechanical compression fittings that can operate with numerous types of common plastic tubes in the range between 4-12 mm (3/16"-1/2").

The fittings sealing system is based on an external NBR ring that seals the tube around its Outside Diameter. This type of method, can promise full bore passage, for low pressure loss, as well as smooth and uninterrupted internal flow of liquids and air.

Barb Block Fittings

Tefen barb Block fittings are mechanical push-on compression fittings that can operate with numerous types of common plastic tubes in the range between 6-12 mm (1/4"-1/2").

The fittings sealing system is based on a barb and a tightening nut.

How to make the connection: Insert the nut onto the tube, insert the tube onto the barb and then close and secure the nut tightly on the bar support thread.

Main use: for the connection of plastic tubes on hydraulic and pneumatic systems.

Main Advantages: high chemical resistant, very strong resistant for tube pullout, no rubber seals- long lasting fittings.

Barb Connectors

Tefen barb connectors designed to operate with all LDPE tubes class 2.5 and 4, at the range of 12- 25 mm external diameter.

These fittings can work with other flexible plastic and rubber pipes.

The fittings sealing system is based on a barb that holds the tube from the inside diameter.

The fittings size: indicate the nominal outside diameter of the tube.

For example: 16 mm barb fitting, fits a 16 mm irrigation tube class 2.5, with inner diameter of 13.6 mm.

Hose Fittings

Tefen hose fittings are the perfect choice for connecting all types of flexible rubber and plastic tubes in domestic, industrial and all other general applications.

Main advantages:

Strong and durable, high impact resistant, all sizes are true outside diameter of the fittings, and will match identical inside diameter of the tube. In order to secure tube on the fitting barb, one should use press clip like Tefen snap clip or identical metal or plastic clips.

How to use: push the tube onto the barb all the way to the stopper.

Secure the tube with a proper size pressure clip, -tightly.



Fittings - PVDF

PVDF is a special natural white shade of color plastic raw material. Fittings made of PVDF can function well, even when exposed to a wide range of temperatures and high corrosive chemicals.

* Nuts material is Reinforced PP



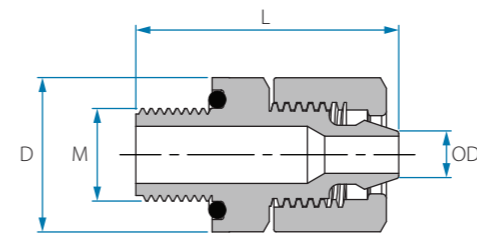
Fittings - PVDF

PVDF

Working pressure
Up to 14 BAR (200 psi) at 20 °C

Temperature
-20 °C - 120 °C (subject to application)

Fittings' dimensions
refer to tube ID or OD, with respect to the common application.



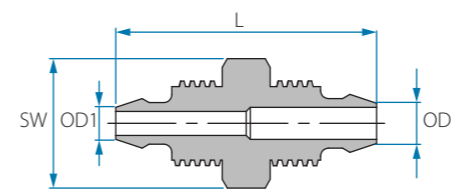
Male Barb Block Connector (with O-Ring)

Cat. No.	OD mm	M (BSPP)	L mm	D mm	Colour	O-ring
22F56846021	6	1/8"	272	16.0	White	Silicone
22F56846041	6	1/4"	30.9	19.4		
22F56848021	8	1/8"	273	16.0		
22F56848041	8	1/4"	31.1	19.3		
22F56850021	10	1/8"	272	16.0		
22F56850041	10	1/4"	31.0	19.4		

Note: Packing 25 unit
* Nuts material is Reinforced PP

Cat. No.	OD Inch	M (BSPP)	L mm	D mm	Colour	O-ring
22F56804021	1/4"	1/8"	271	16.0	White	Silicone
22F56804041	1/4"	1/4"	30.9	19.4	& Navy Blue	

Note: Packing 25 unit
* Nuts material is Reinforced PP

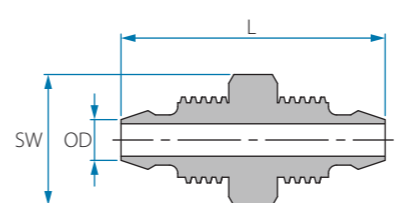


Reducing Barb Block Connector

Cat. No.	OD mm	OD1 mm	L mm	SW	Colour
22055648461	8	6	32.7	14	White

Cat. No.	OD inch	OD1 inch	L mm	SW	Colour
22255605041	5/16"	1/4"	32.7	14	White & Navy Blue

Note: Packing 25 unit
* Nuts material is Reinforced PP



Union Barb Block Connector

Cat. No.	OD mm	L mm	SW	Colour
22056246001	6	32.7	14	White
22056248001	8	32.7	14	
22056252001	12	40.6	19	

Cat. No.	OD inch	L mm	SW	Colour
22256204001	1/4"	32.7	14	White & Navy Blue
22256205001	5/16"	32.7	14	
22256208001	1/2"	40.6	19	

Note: Packing 25 unit
* Nuts material is Reinforced PP

Fittings - PVDF

PVDF



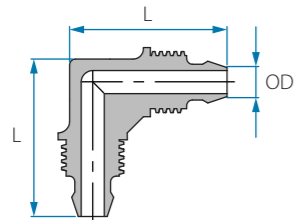
Working pressure
Up to 14 BAR
(200 psi) at 20 °C



Temperature
-20 °C - 120 °C
(subject to application)



Fittings' dimensions
refer to tube ID or OD, with respect to
the common application.

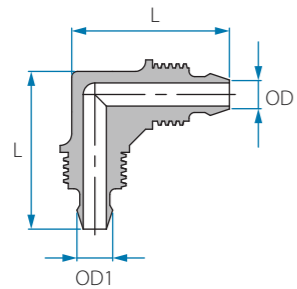


Union Elbow Barb Block Connector

Cat. No.	OD mm	L mm	Colour
22056546001	6	274	○ White
22056548001	8	274	
22056552001	12	405	

Cat. No.	OD inch	L mm	Colour
22256504001	¼"	274	○ White
22256505001	⅝"	274	○ White & Navy Blue
22256508001	½"	405	

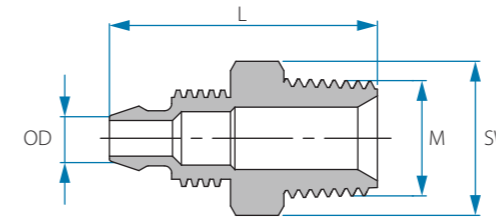
Note: Packing 25 unit
* Nuts material is Reinforced PP



Reducing Elbow Barb Block Connector

Cat. No.	OD mm	OD1 mm	L mm	Colour
22055748461	8	6	273	○ White

Note: Packing 25 unit
* Nuts material is Reinforced PP



Male BSPT Barb Block Connector

Cat. No.	OD mm	M (BSPT)	L mm	SW	Colour
22056846021	6	⅛"	275	13	○ White
22056846041	6	¼"	29.7	15	
22056846061	6	⅜"	32.5	17	
22056846081	6	½"	35.5	22	
22056846121	6	¾"	35.5	27	
22056848021	8	⅛"	27.6	13	
22056848041	8	¼"	29.5	15	
22056848061	8	⅜"	31.4	18	
22056848081	8	½"	36.1	22	
22056848121	8	¾"	26.1	27	
22056850041	10	¼"	35.8	17	
22056850061	10	⅜"	35.8	17	
22056850081	10	½"	38.9	22	
22056850121	10	¾"	38.9	27	
22056852041	12	¼"	37.3	17	
22056852061	12	⅜"	37.3	17	
22056852081	12	½"	40.1	22	
22056852121	12	¾"	40.1	27	

Cat. No.	OD inch	M (BSPT)	L mm	SW	Colour
22056804021	¼"	⅛"	275	13	○ White & Navy Blue
22056804041	¼"	¼"	29.7	15	
22056804061	¼"	⅜"	32.5	18	
22056804081	¼"	½"	35.5	22	
22056804121	¼"	¾"	35.5	27	
22056805021	⅝"	⅛"	27.6	13	
22056805041	⅝"	¼"	29.5	15	
22056805061	⅝"	⅜"	31.4	18	
22056806041	⅜"	¼"	36.1	17	
22056806061	⅜"	⅜"	36.6	17	
22056806081	⅜"	½"	35.8	22	
22056806121	⅜"	¾"	35.8	27	
22056808041	½"	¼"	38.9	14	
22056808061	½"	⅜"	39.7	17.5	
22056808081	½"	½"	37.3	22	
22056808121	½"	¾"	40.1	27	

Note: Packing 25 unit
* Nuts material is Reinforced PP

Fittings - PVDF

PVDF



Working pressure
Up to 14 BAR
(200 psi) at 20 °C

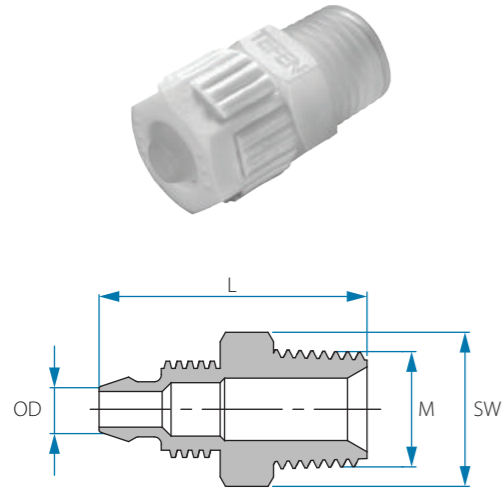


Temperature
-20 °C - 120 °C
(subject to application)



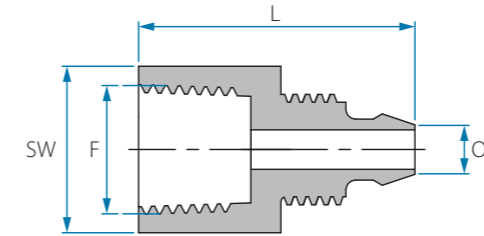
Fittings' dimensions
refer to tube ID or OD, with respect to
the common application.

Male NPT Barb Block Connector



Cat. No.	OD inch	M (NPT)	L mm	SW	Colour
22256804021	1/4"	1/8"	29.4	13	White & Grey
22256804041	1/4"	1/4"	34.0	15	
22256804061	1/4"	3/8"	35.1	18	
22256804081	1/4"	1/2"	40.2	22	
22256804121	1/4"	3/4"	41.0	27	
22256805021	5/16"	1/8"	29.4	13	
22256805041	5/16"	1/4"	34.0	15	
22256805061	5/16"	3/8"	35.1	18	
22256805081	5/16"	1/2"	40.2	22	
22256805121	5/16"	3/4"	41.0	27	
22256806041	3/8"	1/4"	37.6	15	
22256806061	3/8"	3/8"	38.6	18	
22256806081	3/8"	1/2"	43.7	22	
22256806121	3/8"	3/4"	44.4	27	
22256808041	1/2"	1/4"	38.8	15	
22256808061	1/2"	3/8"	40.0	18	
22256808081	1/2"	1/2"	45.0	22	
22256808121	1/2"	3/4"	45.8	18	

Note: Packing 25 unit
* Nuts material is Reinforced PP



Female BSPT Barb Block Connector

Cat. No.	OD mm	F (BSPT)	L mm	SW	Colour
22056646021	6	1/8"	26.3	14	White
22056646041	6	1/4"	27.8	17	
22056648021	8	1/8"	26.3	14	
22056648041	8	1/4"	28.0	17	
22056648061	8	3/8"	30.6	22	
22056648081	8	1/2"	32.5	26	
22056650041	10	1/4"	31.7	17	
22056650061	10	3/8"	33.0	22	
22056650081	10	1/2"	35.1	26	

Cat. No.	OD inch	F (BSPT)	L mm	SW	Colour
22056604021	1/4"	1/8"	26.3	14	White & Navy Blue
22056604041	1/4"	1/4"	27.8	17	
22056605021	5/16"	1/8"	26.3	14	
22056605041	5/16"	1/4"	28.0	17	
22056605061	5/16"	3/8"	30.6	22	
22056605081	5/16"	1/2"	32.5	26	
22056606041	3/8"	1/4"	31.7	17	
22056606061	3/8"	3/8"	33.0	22	
22056606081	3/8"	1/2"	35.1	26	

Note: Packing 25 unit
* Nuts material is Reinforced PP

Female NPT Barb Block Connector

Cat. No.	OD inch	F (NPT)	L mm	SW	Colour
22256604021	1/4"	1/8"	26.3	14	White & Grey
22256605021	5/16"	1/8"	26.3	14	
22256605041	5/16"	1/4"	32.1	14	
22256605061	5/16"	3/8"	33.8	14	
22256605081	5/16"	1/2"	37.3	14	
22256606041	3/8"	1/4"	32.9	17	
22256606061	3/8"	3/8"	34.5	17	
22256606081	3/8"	1/2"	38.0	17	

Note: Packing 25 unit
* Nuts material is Reinforced PP

Fittings - PVDF

PVDF



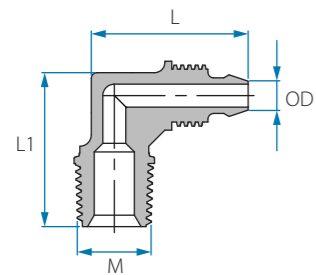
Working pressure
Up to 14 BAR
(200 psi) at 20 °C



Temperature
-20 °C - 120 °C
(subject to application)



Fittings' dimensions
refer to tube ID or OD, with respect to
the common application.



BSPT Male Elbow Barb Block Connector

Cat. No.	OD mm	M (BSPT)	L mm	L1 mm	Colour
22056946021	6	1/8"	276	22.4	White
22056946041	6	1/4"	276	26.8	White
22056948021	8	1/8"	276	26.8	White
22056948041	8	1/4"	276	26.8	White
22056948061	8	3/8"	28.1	29.4	White
22056952041	12	1/4"	40.3	31.7	White
22056952061	12	3/8"	40.3	32.0	White
22056952081	12	1/2"	40.3	36.0	White

Cat. No.	OD inch	M (BSPT)	L mm	L1 mm	Colour
22056904021	1/4"	1/8"	22.4	27.6	White & Navy Blue
22056904041	1/4"	1/4"	26.8	27.6	White & Navy Blue
22056905021	5/16"	1/8"	26.8	27.6	White & Navy Blue
22056905041	5/16"	1/4"	26.8	27.6	White & Navy Blue
22056905061	5/16"	3/8"	29.4	28.1	White & Navy Blue
22056908041	1/2"	1/4"	31.7	40.3	White & Navy Blue
22056908061	1/2"	3/8"	32.0	40.3	White & Navy Blue
22056908081	1/2"	1/2"	36.0	40.3	White & Navy Blue

Note: Packing 25 unit

* Nuts material is Reinforced PP

NPT Male Elbow Barb Block Connector

Cat. No.	OD inch	M (NPT)	L mm	L1 mm	Colour
22256904021	1/4"	1/8"	24.0	27.5	White & Grey
22256904041	1/4"	1/4"	29.0	27.5	White & Grey
22256905021	5/16"	1/8"	24.0	27.5	White & Grey
22256905041	5/16"	1/4"	29.0	27.5	White & Grey

Note: Packing 25 unit

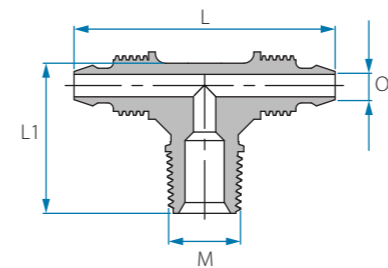
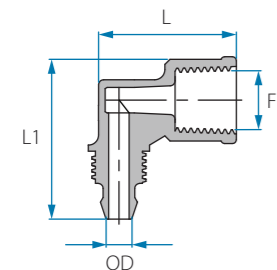
* Nuts material is Reinforced PP

BSPT Female Elbow Barb Block Connector

Cat. No.	OD mm	F (BSPT)	L mm	L1 mm	Colour
22056046021	6	1/8"	25.1	27.3	White
22056046041	6	1/4"	27.0	27.3	White
22056048041	8	1/4"	27.0	27.3	White

Note: Packing 25 unit

* Nuts material is Reinforced PP



BSPT Male Barb Block Branch T

Cat. No.	OD mm	M (BSPT)	L mm	L1 mm	Colour
22057146021	6	1/8"	46.8	22.6	White
22057146041	6	1/4"	46.8	26.8	White
22057148021	8	1/8"	46.8	22.6	White
22057148041	8	1/4"	46.8	26.8	White
22057148061	8	3/8"	47.2	29.4	White
22057152041	12	1/4"	67.0	31.6	White
22057152061	12	3/8"	67.0	32.0	White
22057152081	12	1/2"	67.0	36.0	White

Cat. No.	OD inch	M (BSPT)	L mm	L1 mm	Colour
22057104021	1/4"	1/8"	46.8	22.6	White & Navy Blue
22057104041	1/4"	1/4"	46.8	26.8	White & Navy Blue
22057105021	5/16"	1/8"	46.8	22.6	White & Navy Blue
22057105041	5/16"	1/4"	46.8	26.8	White & Navy Blue
22057105061	5/16"	3/8"	47.2	29.4	White & Navy Blue
22057108041	1/2"	1/4"	67.0	31.6	White & Navy Blue
22057108061	1/2"	3/8"	67.0	32.0	White & Navy Blue

Note: Packing 25 unit

* Nuts material is Reinforced PP

NPT Male Barb Block Branch T

Cat. No.	OD inch	M (NPT)	L mm	L1 mm	Colour
22257104021	1/4"	1/8"	47.7	24.1	White & Grey
22257104041	1/4"	1/4"	46.6	28.9	White & Grey
22257105021	5/16"	1/8"	47.7	24.1	White & Grey
22257105041	5/16"	1/4"	46.7	28.9	White & Grey
22257108061	1/2"	3/8"	67.1	32.1	White & Grey
22257108081	1/2"	1/2"	67.1	35.8	White & Grey

Note: Packing 25 unit

* Nuts material is Reinforced PP

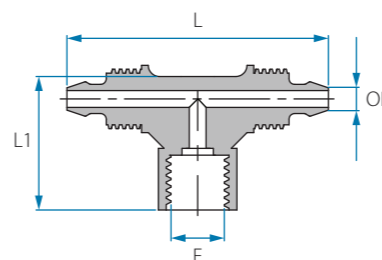
BSPT Female Branch Barb Block Connector

Cat. No.	OD mm	F (BSPT)	L mm	L1 mm	Colour
22057346021	6	1/8"	46.6	25.0	White
22057348041	8	1/4"	46.8	28.9	White

Cat. No.	OD inch	F (BSPT)	L mm	L1 mm	Colour
22057304021	1/4"	1/8"	46.6	25.0	White & Navy Blue
22057305041	5/16"	1/4"	46.8	27.2	White & Navy Blue

Note: Packing 25 unit

* Nuts material is Reinforced PP



Fittings - PVDF

PVDF



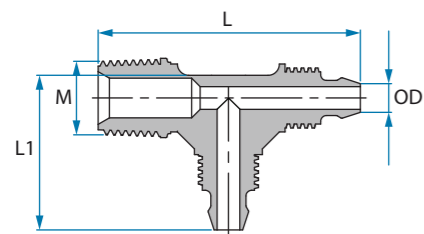
Working pressure
Up to 14 BAR
(200 psi) at 20 °C



Temperature
-20 °C - 120 °C
(subject to application)



Fittings' dimensions
refer to tube ID or OD, with respect to
the common application.



BSPT Barb Block Male Run T

Cat. No.	OD mm	M (BSPT)	L mm	L1 mm	Colour
22057246021	6	1/8"	41.9	275	White
22057246041	6	1/4"	46.2	275	White
22057248021	8	1/8"	41.9	275	
22057248041	8	1/4"	46.2	275	
22057248061	8	3/8"	58.8	43.2	
22057252041	12	1/4"	57.7	40.3	
22057252061	12	3/8"	62.5	40.3	
22057252081	12	1/2"	62.7	40.4	

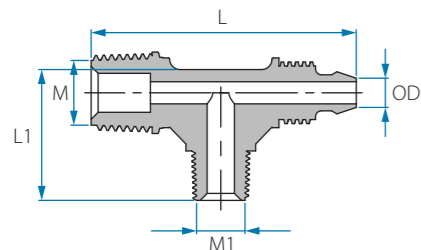
Cat. No.	OD inch	M (BSPT)	L mm	L1 mm	Colour
22057204021	1/4"	1/8"	41.9	275	White & Navy Blue
22057204041	1/4"	1/4"	46.2	275	
22057205021	5/16"	1/8"	41.9	275	
22057205041	5/16"	1/4"	46.2	275	
22057205061	5/16"	3/8"	58.8	43.2	
22057208041	1/2"	1/4"	57.7	40.3	
22057208061	1/2"	3/8"	62.5	40.3	
22057208081	1/2"	1/2"	62.7	40.4	

Note: Packing 25 unit
* Nuts material is Reinforced PP

NPT Male Barb Block Run T

Cat. No.	OD inch	M (NPT)	L mm	L1 mm	Colour
22257204021	1/4"	1/8"	43.4	274	White & Grey
22257204041	1/4"	1/4"	48.2	274	
22257205021	5/16"	1/8"	43.5	274	
22257205041	5/16"	1/4"	48.3	274	
22257205061	5/16"	3/8"	67.0	274	
22257208021	1/2"	1/8"	48.0	43.2	

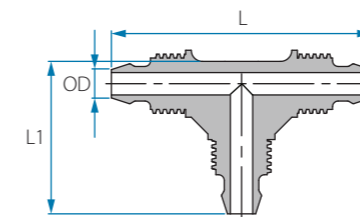
Note: Packing 25 unit
* Nuts material is Reinforced PP



BSPT Male Barb Block T - 2 threads

Cat. No.	OD mm	M (BSPT)	M1 (BSPT)	L mm	L1 mm	Colour
22057802041	8	1/4"	1/8"	46.2	22.6	White

Note: Packing 25 unit
* Nuts material is Reinforced PP

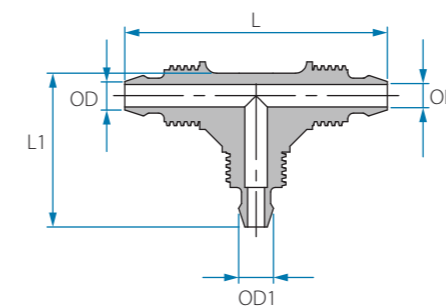


Union T Barb Block Connector

Cat. No.	OD mm	L mm	L1 mm	Colour
22056446461	6	46.8	275	White
22056448481	8	46.8	275	
22056452521	12	67.1	40.4	

Cat. No.	OD inch	L mm	L1 mm	Colour
22256404041	1/4"	46.8	275	White & Navy Blue
22256405051	5/16"	46.8	275	
22256408081	1/2"	67.1	40.4	

Note: Packing 25 unit
* Nuts material is Reinforced PP



Reducing T Barb Block Connector

Cat. No.	OD mm	OD1 mm	L mm	L1 mm	Colour
22055846481	6	8	46.8	274	White
22055848461	8	6	46.8	274	

Note: Packing 25 unit
* Nuts material is Reinforced PP

Fittings - PVDF

PVDF



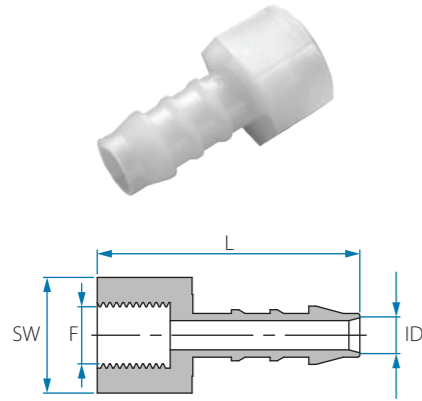
Working pressure
Up to 14 BAR
(200 psi) at 20 °C



Temperature
-20 °C - 120 °C
(subject to application)



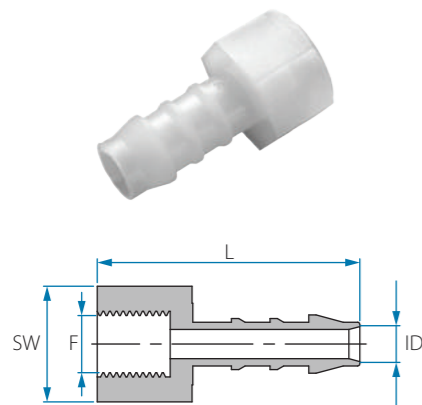
Fittings' dimensions
refer to tube ID or OD, with respect to
the common application.



BSPT Female Hose Connector

Cat. No.	ID mm	F (BSPT)	L mm	SW	Colour
12556745021	5	1/8"	34.4	14	○ White
12556745041	5	1/4"	35.2	17	
12556745061	5	3/8"	36.5	22	
12556745081	5	1/2"	38.7	26	
12556746021	6	1/8"	36.3	14	
12556746041	6	1/4"	37.2	17	
12556746061	6	3/8"	38.3	22	
12556746081	6	1/2"	40.8	26	
12556748021	8	1/8"	38.2	14	
12556748041	8	1/4"	39.4	17	
12556748061	8	3/8"	40.4	22	
12556748081	8	1/2"	42.7	26	
12556750041	10	1/4"	41.5	17	
12556750061	10	3/8"	42.3	22	
12556750081	10	1/2"	45.0	26	
12556752041	12	1/4"	42.4	17	
12556752061	12	3/8"	43.3	22	
12556752081	12	1/2"	46.0	26	
12556754061	14	3/8"	45.0	22	
12556754081	14	1/2"	47.3	26	
12556756081	16	1/2"	48.1	26	
12556759081	19	1/2"	48.8	26	

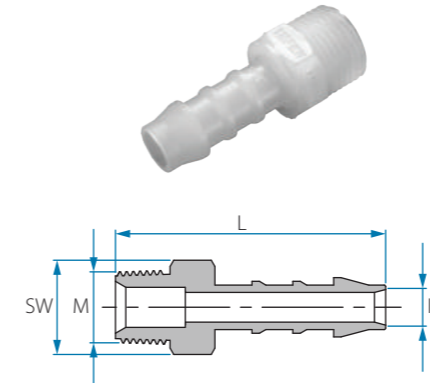
Note: Packing 25 unit



NPT Female Hose Connector

Cat. No.	ID inch	F (NPT)	L mm	SW	Colour
12356704021	1/4"	1/8"	36.7	14	○ White
12356704041	1/4"	1/4"	40.1	17	
12356704061	1/4"	3/8"	40.0	22	
12356704081	1/4"	1/2"	43.7	27	
12356705021	5/16"	1/8"	38.9	14	
12356705041	5/16"	1/4"	41.8	17	
12356705061	5/16"	3/8"	42.0	22	
12356705081	5/16"	1/2"	45.0	27	
12356706041	3/8"	1/4"	44.1	17	
12356706061	3/8"	3/8"	43.9	22	
12356706081	3/8"	1/2"	47.2	27	
12356708041	1/2"	1/4"	44.7	17	
12356708061	1/2"	3/8"	45.2	22	
12356708081	1/2"	1/2"	48.8	27	
12356709061	9/16"	3/8"	46.5	22	
12356709081	9/16"	1/2"	50.3	27	
12356710081	5/8"	1/2"	50.4	27	
12356712081	3/4"	1/2"	51.7	27	

Note: Packing 25 unit



BSPT Male Hose Connector

Cat. No.	ID mm	M (BSPT)	L mm	SW	Colour
12556844021	4	1/8"	31.2	11	○ White
12556844041	4	1/4"	33.8	14	
12556845021	5	1/8"	34.7	11	
12556845041	5	1/4"	38.3	14	
12556846021	6	1/8"	35.0	11	
12556846041	6	1/4"	39.2	14	
12556846061	6	3/8"	39.1	17	
12556846081	6	1/2"	42.3	22	
12556846121	6	3/4"	43.0	22	
12556848021	8	1/8"	39.8	11	
12556848041	8	1/4"	43.0	14	
12556848061	8	3/8"	43.0	17	
12556848081	8	1/2"	46.1	22	
12556848121	8	3/4"	37.1	17	
12556850041	10	1/4"	47.1	14	
12556850061	10	3/8"	45.2	17	
12556850081	10	1/2"	48.3	22	
12556850121	10	3/4"	49.3	27	
12556852041	12	1/4"	46.0	14	
12556852061	12	3/8"	46.0	17	
12556852081	12	1/2"	49.3	22	
12556852121	12	3/4"	50.0	27	
12556854061	14	3/8"	47.5	17	
12556854081	14	1/2"	50.8	22	
12556854121	14	3/4"	51.7	27	
12556856081	16	1/2"	51.3	22	
12556856121	16	3/4"	52.2	27	
12556859081	19	1/2"	52.2	22	
12556859121	19	3/4"	53.3	27	
12556859161	19	1"	60.1	36	
12556865121	25	3/4"	54.8	27	
12556865161	25	1"	66.6	36	

Note: Packing 25 unit

Fittings - PVDF

PVDF



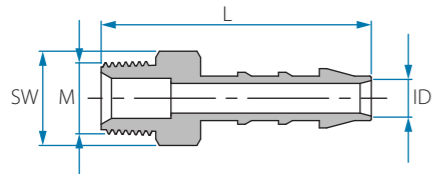
Working pressure
Up to 14 BAR
(200 psi) at 20 °C



Temperature
-20 °C - 120 °C
(subject to application)



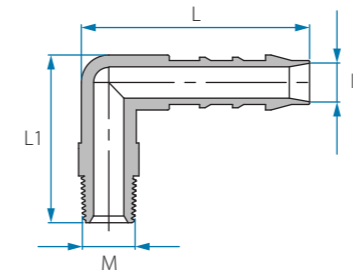
Fittings' dimensions
refer to tube ID or OD, with respect to
the common application.



NPT Male Hose Connector

Cat. No.	ID inch	M (NPT)	L mm	SW	Colour
12356802021	5/32"	1/8"	30.7	11	○ White
12356802041	5/32"	1/4"	35.3	14	
12356803021	3/16"	1/8"	36.3	11	
12356803041	3/16"	1/4"	39.7	14	
12356804021	1/4"	1/8"	36.1	11	
12356804041	1/4"	1/4"	40.6	14	
12356804061	1/4"	3/8"	41.9	17	
12356804081	1/4"	1/2"	46.7	22	
12356805021	5/16"	1/8"	40.2	11	
12356805041	5/16"	1/4"	44.7	14	
12356805061	5/16"	3/8"	45.9	17	
12356805081	5/16"	1/2"	51.0	22	
12356806041	3/8"	1/4"	46.5	14	
12356806061	3/8"	3/8"	47.7	17	
12356806081	3/8"	1/2"	53.2	22	
12356806121	3/8"	3/4"	54.3	27	
12356808041	1/2"	1/4"	47.7	14	
12356808061	1/2"	3/8"	48.9	17	
12356808081	1/2"	1/2"	53.7	22	
12356808121	1/2"	3/4"	54.7	27	
12356809061	9/16"	3/8"	51.6	17	
12356809081	9/16"	1/2"	55.4	22	
12356809121	9/16"	3/4"	56.1	27	
12356810081	5/8"	1/2"	56.3	22	
12356810121	5/8"	3/4"	56.8	27	
12356812081	3/4"	1/2"	56.9	22	
12356812121	3/4"	3/4"	57.7	27	

Note: Packing 25 unit



BSPT Male Elbow Hose Connector

Cat. No.	ID mm	M (BSPT)	L mm	L1 mm	Colour
12556944021	4	1/8"	26.7	24.1	○ White
12556944041	4	1/4"	26.7	27.2	
12556945021	5	1/8"	31.8	26.8	
12556945041	5	1/4"	29.8	32.0	
12556945081	5	1/2"	31.8	33.0	
12556946021	6	1/8"	35.5	27.3	
12556946041	6	1/4"	35.5	29.8	
12556946061	6	3/8"	35.5	30.0	
12556946081	6	1/2"	35.5	33.7	
12556948021	8	1/8"	41.5	30.4	
12556948041	8	1/4"	41.5	32.8	
12556948061	8	3/8"	41.5	32.8	
12556948081	8	1/2"	41.5	36.8	
12556950041	10	1/4"	45.5	33.9	
12556950061	10	3/8"	45.5	34.1	
12556950081	10	1/2"	45.5	37.8	
12556950121	10	3/4"	45.5	38.9	
12556952041	12	1/4"	48.7	35.0	
12556952061	12	3/8"	48.7	35.3	
12556952081	12	1/2"	48.7	39.0	
12556952121	12	3/4"	48.7	39.7	
12556954061	14	3/8"	51.4	38.5	
12556954081	14	1/2"	51.4	42.3	
12556954121	14	3/4"	51.4	43.3	
12556956081	16	1/2"	53.7	44.9	
12556956121	16	3/4"	53.7	46.0	
12556959081	19	1/2"	56.0	46.4	
12556959121	19	3/4"	56.4	47.5	

Note: Packing 25 unit

Fittings - PVDF

PVDF



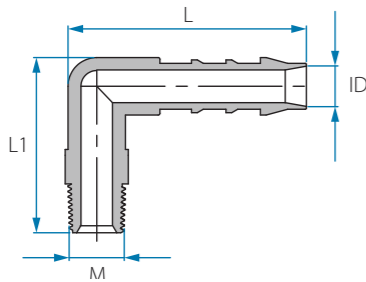
Working pressure
Up to 14 BAR
(200 psi) at 20 °C



Temperature
-20 °C - 120 °C
(subject to application)



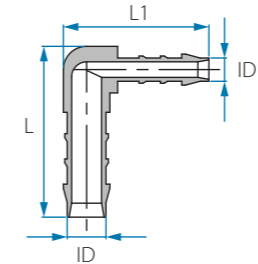
Fittings' dimensions
refer to tube ID or OD, with respect to
the common application.



NPT Male Elbow Hose Connector

Cat. No.	ID inch	M (NPT)	L mm	L1 mm	Colour
12356902021	5/32"	1/8"	25.7	26.0	○ White
12356902041	5/32"	1/4"	25.9	31.1	
12356903021	3/16"	1/8"	31.8	28.6	
12356903041	3/16"	1/4"	33.5	31.8	
12356903081	3/16"	1/2"	40.1	31.8	
12356904021	1/4"	1/8"	35.4	29.0	
12356904041	1/4"	1/4"	35.5	33.7	
12356904061	1/4"	3/8"	35.5	33.8	
12356904081	1/4"	1/2"	40.0	35.4	
12356905021	5/16"	1/8"	41.5	32.1	
12356905041	5/16"	1/4"	41.2	36.7	
12356905061	5/16"	3/8"	41.5	36.6	
12356905081	5/16"	1/2"	41.5	43.1	
12356906041	3/8"	1/4"	45.4	37.7	
12356906061	3/8"	3/8"	45.3	37.5	
12356906081	3/8"	1/2"	45.4	44.4	
12356906121	3/8"	3/4"	45.4	44.0	
12356908041	1/2"	1/4"	48.6	39.0	
12356908061	1/2"	3/8"	48.3	28.6	
12356908081	1/2"	1/2"	48.7	45.2	
12356908121	1/2"	3/4"	48.7	45.2	
12356909061	9/16"	3/8"	51.4	42.2	
12356909081	9/16"	1/2"	51.4	48.6	
12356909121	9/16"	3/4"	51.5	48.5	
12356910081	5/8"	1/2"	53.8	51.5	
12356910121	5/8"	3/4"	53.8	51.4	
12356912081	3/4"	1/2"	56.6	52.8	
12356912121	3/4"	3/4"	56.2	53.0	

Note: Packing 25 unit



Reducing Elbow Hose Connector

Cat. No.	ID mm	ID1 mm	L mm	L1 mm	Colour
12556645441	5	4	31.8	27.8	○ White
12556646441	6	4	35.5	29.0	
12556646451	6	5	35.4	34.1	
12556648461	8	6	41.6	39.3	
12556650461	10	6	45.3	40.1	
12556650481	10	8	42.1	45.2	
12556652501	12	10	48.7	45.6	
12556654521	14	12	51.5	49.6	
12556656541	16	14	53.8	53.6	
12556659561	19	16	56.2	56.1	

Cat. No.	ID inch	ID1 inch	L mm	L1 mm	Colour
12356603021	3/16"	5/32"	31.8	27.9	○ White
12356604031	1/4"	3/16"	35.5	34.0	
12356605041	5/16"	1/4"	41.6	39.4	
12356606041	3/8"	1/4"	45.3	40.2	
12356606051	3/8"	5/16"	45.5	42.5	
12356608061	1/2"	3/8"	48.6	45.8	
12356609081	9/16"	1/2"	51.1	49.8	
12356610091	5/8"	9/16"	53.6	53.6	
12356612101	3/4"	5/8"	55.8	55.8	

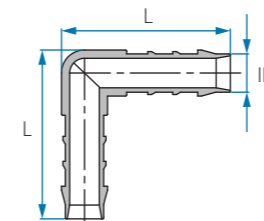
Note: Packing 25 unit

Union Elbow Hose Connector

Cat. No.	ID mm	L mm	Colour
12556544001	4	26.3	○ White
12556545001	5	31.7	
12556546001	6	35.5	
12556548001	8	41.4	
12556550001	10	44.6	
12556552001	12	46.3	
12556554001	14	51.0	
12556556001	16	53.9	
12556559001	19	55.8	

Cat. No.	ID inch	L mm	Colour
12356502001	5/32"	25.6	○ White
12356503001	3/16"	33.2	
12356504001	1/4"	36.1	
12356505001	5/16"	41.4	
12356506001	3/8"	44.6	
12356508001	1/2"	47.6	
12356509001	9/16"	51.2	
12356510001	5/8"	54.3	
12356512001	3/4"	56.7	

Note: Packing 25 unit



Fittings - PVDF

PVDF



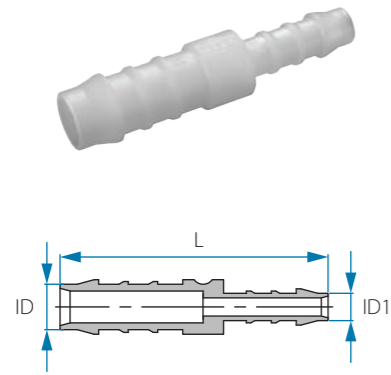
Working pressure
Up to 14 BAR
(200 psi) at 20 °C



Temperature
-20 °C - 120 °C
(subject to application)



Fittings' dimensions
refer to tube ID or OD, with respect to
the common application.

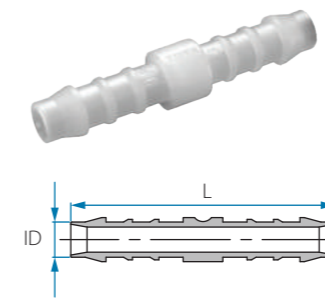


Reducing Hose Connector

Cat. No.	ID mm	ID1 mm	L mm	Colour
12555645441	5	4	42.2	○ White
12555646441	6	4	45.7	
12555646451	6	5	50.6	
12555648451	8	5	54.4	
12555648461	8	6	56.3	
12555650461	10	6	58.9	
12555650481	10	8	62.0	
12555652481	12	8	63.8	
12555652501	12	10	65.3	
12555654501	14	10	69.1	
12555654521	14	12	69.9	
12555656521	16	12	70.3	
12555656541	16	14	71.7	
12555659541	19	14	72.7	
12555659561	19	16	73.2	

Cat. No.	ID inch	ID1 inch	L mm	Colour
12355603021	3/16"	5/32"	42.2	○ White
12355604021	1/4"	5/32"	45.7	
12355604031	1/4"	3/16"	50.6	
12355605031	5/16"	3/16"	54.4	
12355605041	5/16"	1/4"	56.3	
12355606041	3/8"	1/4"	58.9	
12355606051	3/8"	5/16"	62.0	
12355608051	1/2"	5/16"	63.8	
12355608061	1/2"	3/8"	65.3	
12355609061	9/16"	3/8"	69.1	
12355609081	9/16"	1/2"	69.9	
12355610081	5/8"	1/2"	70.3	
12355610091	5/8"	9/16"	71.7	
12355612091	3/4"	9/16"	72.7	
12355612101	3/4"	5/8"	73.2	

Note: Packing 25 unit

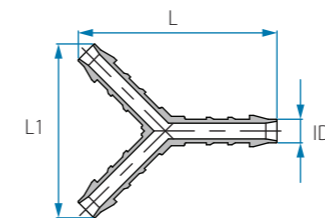


Union Hose Connector

Cat. No.	ID mm	L mm	Colour
12556244001	4	36.6	○ White
12556245001	5	47.0	
12556246001	6	52.2	
12556248001	8	59.3	
12556250001	10	63.0	
12556252001	12	66.0	
12556254001	14	71.8	
12556256001	16	72.5	
12556259001	19	73.5	

Cat. No.	ID inch	L mm	Colour
12356202001	5/32"	36.6	○ White
12356203001	3/16"	47.0	
12356204001	1/4"	52.2	
12356205001	5/16"	59.3	
12356206001	3/8"	63.0	
12356208001	1/2"	66.3	
12356209001	9/16"	71.9	
12356210001	5/8"	71.4	
12356211001	11/16"	59.1	
12356212001	3/4"	73.8	

Note: Packing 25 unit



Y Hose Connector

Cat. No.	ID mm	L mm	L1 mm	Colour
12556344441	4	35.0	31.0	○ White
12556346461	6	51.2	44.5	
12556348481	8	56.6	40.6	
12556350501	10	62.3	55.0	
12556357571	17	63.3	57.7	

Cat. No.	ID inch	L mm	L1 mm	Colour
12356302021	5/32"	35.5	30.8	○ White
12356304041	1/4"	50.8	44.3	
12356305051	5/16"	55.6	49.4	
12356306061	3/8"	60.8	54.9	
12356311111	11/16"	62.5	57.4	

Note: Packing 25 unit

Fittings - PVDF

PVDF



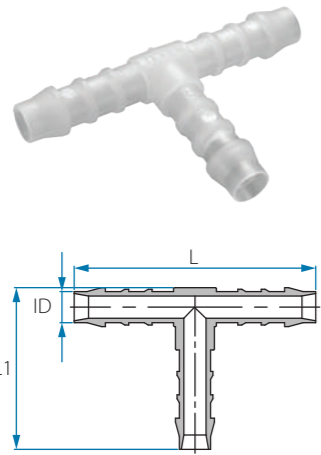
Working pressure
Up to 14 BAR
(200 psi) at 20 °C



Temperature
-20 °C - 120 °C
(subject to application)



Fittings' dimensions
refer to tube ID or OD, with respect to
the common application.

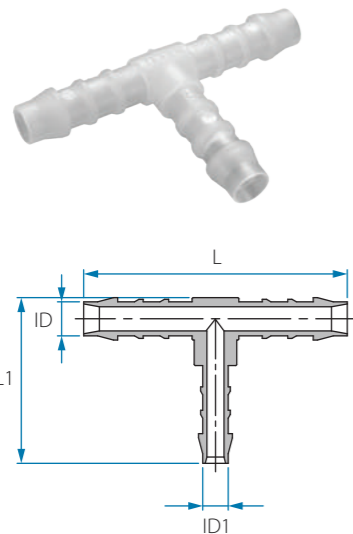


Union T Hose Connector

Cat. No.	ID mm	L mm	L1 mm	Colour
12556444441	4	39.5	24.3	○ White
12556445451	5	50.7	30.8	
12556446461	6	55.8	34.0	
12556448481	8	61.7	38.5	
12556450501	10	66.5	41.2	
12556452521	12	70.5	44.8	
12556454541	14	76.3	49.1	
12556456561	16	79.2	52.1	
12556459591	19	84.4	55.7	

Cat. No.	ID inch	L mm	L1 mm	Colour
12356402021	5/32"	39.4	24.3	○ White
12356403031	3/16"	50.6	30.9	
12356404041	1/4"	55.7	34.1	
12356405051	5/16"	61.2	38.2	
12356406061	3/8"	66.5	41.4	
12356408081	1/2"	70.8	45.0	
12356409091	9/16"	76.3	49.1	
12356410101	5/8"	78.7	51.4	
12356412121	3/4"	83.8	55.9	

Note: Packing 25 unit

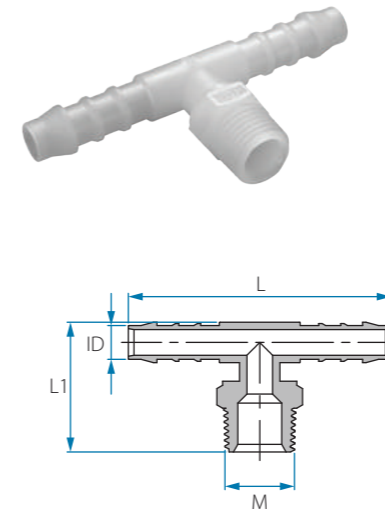


Reducing T Hose Connector

Cat. No.	ID mm	ID1 mm	L mm	L1 mm	Colour
12557245441	5	4	50.7	25.7	○ White
12557246451	6	5	55.7	31.8	
12557248461	8	6	61.5	36.2	
12557250481	10	8	66.5	39.3	
12557252501	12	10	70.6	44.5	
12557254521	14	12	76.7	44.5	
12557256541	16	14	79.5	51.1	
12357259561	19	16	84.6	55.4	

Cat. No.	ID inch	ID1 inch	L mm	L1 mm	Colour
12357203021	3/16"	5/32"	50.6	25.9	○ White
12357204031	1/4"	3/16"	55.8	32.0	
12357205041	5/16"	1/4"	61.5	36.2	
12357206051	3/8"	5/16"	66.5	39.3	
12357208061	1/2"	3/8"	70.3	43.5	
12357209081	9/16"	1/2"	76.3	48.0	
12357210091	5/8"	9/16"	79.4	51.0	
12357212101	3/4"	5/8"	84.3	55.2	

Note: Packing 25 unit



BSPT Male Branch T Hose Connector

Cat. No.	ID mm	M (BSPT)	L mm	L1 mm	Colour
12557144021	4	1/8"	39.4	22.2	○ White
12557144041	4	1/4"	45.2	27.0	
12557145021	5	1/8"	50.9	23.8	
12557145041	5	1/4"	56.5	29.6	
12557146021	6	1/8"	55.8	24.8	
12557146041	6	1/4"	63.1	30.0	
12557146061	6	3/8"	63.1	30.0	
12557146081	6	1/2"	63.1	33.8	
12557148021	8	1/8"	61.7	27.3	
12557148041	8	1/4"	72.7	33.1	
12557148061	8	3/8"	72.7	33.1	
12557148081	8	1/2"	61.8	33.9	
12557150041	10	1/4"	78.7	34.1	
12557150061	10	3/8"	78.7	34.1	
12557150081	10	1/2"	78.9	38.1	
12557150121	10	3/4"	78.9	39.1	
12557152041	12	1/4"	82.7	35.2	
12557152061	12	3/8"	82.7	35.2	
12557152081	12	1/2"	82.6	39.1	
12557152121	12	3/4"	82.6	40.0	
12557154061	14	3/8"	85.6	38.5	
12557154081	14	1/2"	85.6	42.1	
12557154121	14	3/4"	85.6	43.3	
12557156081	16	1/2"	88.2	45.0	
12557156121	16	3/4"	88.5	46.3	
12557159081	19	1/2"	90.3	46.3	
12557159121	19	3/4"	90.7	47.7	

Note: Packing 25 unit

Fittings - PVDF

PVDF



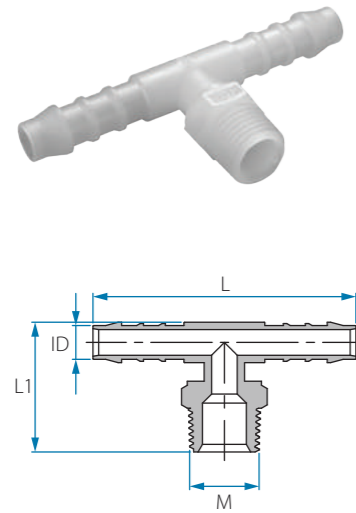
Working pressure
Up to 14 BAR
(200 psi) at 20 °C



Temperature
-20 °C - 120 °C
(subject to application)



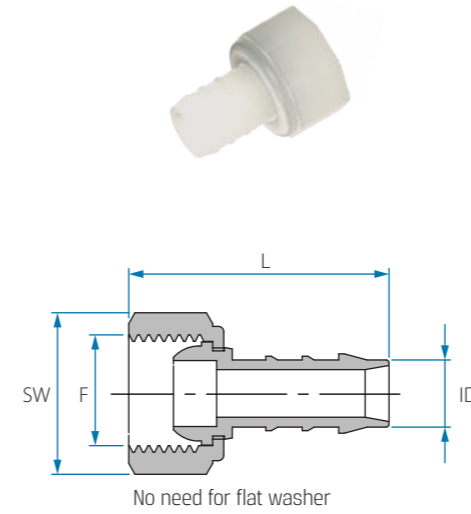
Fittings' dimensions
refer to tube ID or OD, with respect to
the common application.



NPT Male Branch T Hose Connector

Cat. No.	ID inch	M (NPT)	L mm	L1 mm	Colour
12357102021	5/32"	1/8"	45.1	26.0	White
12357102041	5/32"	1/4"	45.1	30.7	White
12357103021	3/16"	1/8"	56.3	28.6	White
12357103041	3/16"	1/4"	56.3	33.4	White
12357103081	3/16"	1/2"	56.3	39.3	White
12357104021	1/4"	1/8"	63.0	29.4	White
12357104041	1/4"	1/4"	63.0	33.8	White
12357104061	1/4"	3/8"	63.0	33.7	White
12357104081	1/4"	1/2"	63.0	40.3	White
12357105021	5/16"	1/8"	72.5	32.3	White
12357105041	5/16"	1/4"	72.5	36.8	White
12357105061	5/16"	3/8"	72.5	36.9	White
12357105081	5/16"	1/2"	72.5	42.8	White
12357106041	3/8"	1/4"	78.5	38.0	White
12357106061	3/8"	3/8"	78.5	37.7	White
12357106081	3/8"	1/2"	78.5	44.0	White
12357106121	3/8"	3/4"	78.5	43.8	White
12357108041	1/2"	1/4"	82.6	39.3	White
12357108061	1/2"	3/8"	82.6	38.8	White
12357108081	1/2"	1/2"	82.6	45.5	White
12357108121	1/2"	3/4"	82.6	45.5	White
12357109061	9/16"	3/8"	85.2	42.6	White
12357109081	9/16"	1/2"	85.2	48.3	White
12357109121	9/16"	3/4"	85.2	48.3	White
12357110081	5/8"	1/2"	88.4	51.5	White
12357110121	5/8"	3/4"	88.4	51.1	White
12357112081	3/4"	1/2"	90.5	53.0	White
12357112121	3/4"	3/4"	90.5	52.5	White

Note: Packing 25 unit

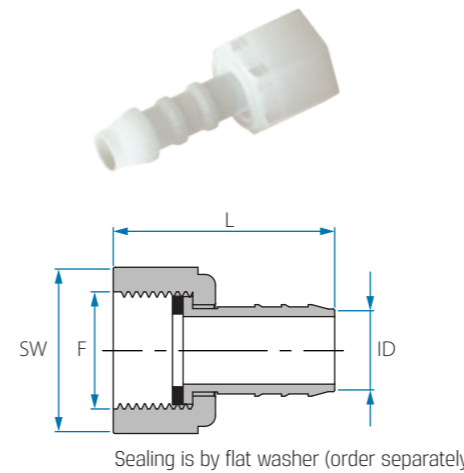


No need for flat washer

Female Swivel Straight Hose Connector - Conical Seat

Cat. No.	ID mm	F (BSPT)	L mm	SW	Colour
22554644021	4	1/8"	27.5	13	White
22554644041	4	1/4"	31.7	17	White
22554645021	5	1/8"	32.0	13	White
22554645041	5	1/4"	36.2	17	White
22554645061	5	3/8"	36.0	20	White
22554646041	6	1/4"	37.3	17	White
22554646061	6	3/8"	36.8	20	White
22554646081	6	1/2"	39.5	24	White
22554648041	8	1/4"	41.3	17	White
22554648061	8	3/8"	40.8	20	White
22554648081	8	1/2"	43.6	24	White
22554648121	8	3/4"	43.4	30	White
22554650061	10	3/8"	42.8	20	White
22554650081	10	1/2"	43.6	24	White
22554650121	10	3/4"	45.6	30	White
22554652081	12	1/2"	46.7	24	White
22554652121	12	3/4"	46.5	30	White
22554654081	14	1/2"	48.9	24	White
22554654121	14	3/4"	48.1	30	White
22554656121	16	3/4"	48.5	30	White
22554659121	19	3/4"	49.3	30	White

Note: Packing 25 unit



Sealing is by flat washer (order separately)

Female Swivel Straight Hose Connector

Cat. No.	ID inch	F (BSPP)	L mm	SW	Colour
22554765161	24	1"	61.8	44	White

Note: Packing 25 unit

Fittings - PVDF

PVDF



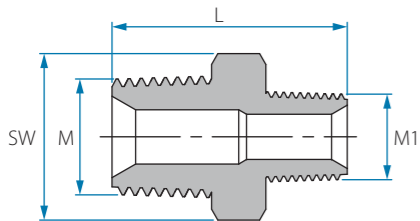
Working pressure
Up to 14 BAR
(200 psi) at 20 °C



Temperature
-20 °C - 120 °C
(subject to application)



Fittings' dimensions
refer to tube ID or OD, with respect to
the common application.



BSPT Pipe Reducing Nipple

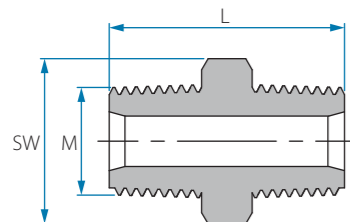
Cat. No.	M (BSPT)	M1 (BSPT)	L mm	SW	Colour
12052304021	1/4"	1/8"	25.2	14	○ White
12052306021	3/8"	1/8"	27.1	17	
12052308021	1/2"	1/8"	29.3	22	
12052306041	3/8"	1/4"	28.5	17	
12052308041	1/2"	1/4"	31.5	22	
12052308061	1/2"	3/8"	31.5	22	

Note: Packing 25 unit

NPT Pipe Reducing Nipple

Cat. No.	M (NPT)	M1 (NPT)	L mm	SW	Colour
12062304021	1/4"	1/8"	28.4	14	○ White
12062306021	3/8"	1/8"	29.6	17	
12062308021	1/2"	1/8"	34.9	22	
12062312021	3/4"	1/8"	35.4	27	
12062306041	3/8"	1/4"	33.4	17	
12062308041	1/2"	1/4"	38.7	22	
12062312041	3/4"	1/4"	39.4	27	
12062308061	1/2"	3/8"	39.1	22	
12062312061	3/4"	3/8"	39.6	27	
12062312081	3/4"	1/2"	44.1	27	

Note: Packing 25 unit



BSPT Pipe Hex Nipple

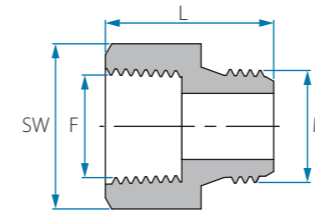
Cat. No.	M (BSPT)	L mm	SW	Colour
12052202021	1/8"	23.2	11	○ White
12052204041	1/4"	27.1	14	
12052206061	3/8"	28.2	17	
12052208081	1/2"	34.1	22	

Note: Packing 25 unit

NPT Pipe Hex Nipple

Cat. No.	M (NPT)	L mm	SW	Colour
12062202021	1/8"	23.9	11	○ White
12062204041	1/4"	32.7	14	
12062206061	3/8"	34.4	17	
12062208081	1/2"	43.3	22	
12062212121	3/4"	44.4	27	

Note: Packing 25 unit



BSPT Pipe Adaptor

Cat. No.	F (BSPT)	M (BSPT)	L mm	SW	Colour
12052002021	1/8"	1/8"	23.0	14	○ White
12052002041	1/8"	1/4"	23.0	14	
12052002061	1/8"	3/8"	24.0	14	
12052002081	1/8"	1/2"	26.9	14	
12052004021	1/4"	1/8"	22.1	17	
12052004041	1/4"	1/4"	24.0	17	
12052004061	1/4"	3/8"	24.8	17	
12052004081	1/4"	1/2"	27.2	17	
12052006021	3/8"	1/8"	23.1	22	
12052006041	3/8"	1/4"	25.2	22	
12052006061	3/8"	3/8"	25.7	22	
12052006081	3/8"	1/2"	28.2	22	
12052008021	1/2"	1/8"	25.6	26	
12052008041	1/2"	1/4"	27.3	26	
12052008061	1/2"	3/8"	28.0	26	
12052008081	1/2"	1/2"	30.6	26	

Note: Packing 25 unit

NPT Pipe Adaptor

Cat. No.	F (NPT)	M (NPT)	L mm	SW	Colour
12062002021	1/8"	1/8"	23.4	14	○ White
12062002041	1/8"	1/4"	23.4	14	
12062002061	1/8"	3/8"	27.4	14	
12062002081	1/8"	1/2"	32.5	14	
12062004021	1/4"	1/8"	26.5	17	
12062004041	1/4"	1/4"	30.7	17	
12062004061	1/4"	3/8"	30.5	17	
12062004081	1/4"	1/2"	35.5	17	
12062006021	3/8"	1/8"	26.3	22	
12062006041	3/8"	1/4"	26.5	22	
12062006061	3/8"	3/8"	30.4	22	
12062006081	3/8"	1/2"	35.5	22	
12062008021	1/2"	1/8"	30.0	26	
12062008041	1/2"	1/4"	34.0	26	
12062008061	1/2"	3/8"	36.6	26	
12062008081	1/2"	1/2"	39.0	26	

Note: Packing 25 unit

Fittings - PVDF

PVDF



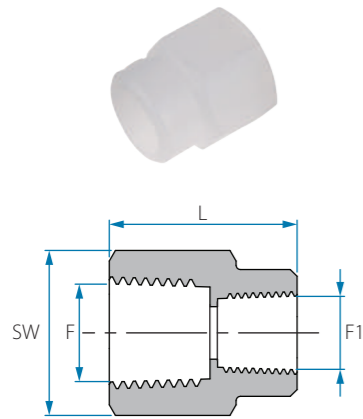
Working pressure
Up to 14 BAR
(200 psi) at 20 °C



Temperature
-20 °C - 120 °C
(subject to application)



Fittings' dimensions
refer to tube ID or OD, with respect to
the common application.



BSPT Pipe Reducing Coupling

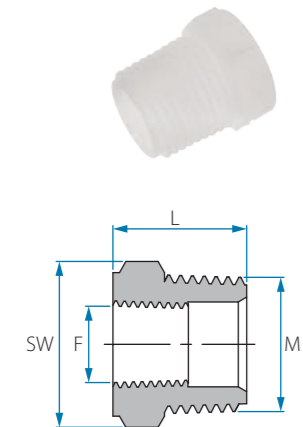
Cat. No.	F (BSPT)	F1 (BSPT)	L mm	SW	Colour
12051904021	1/4"	1/8"	22.0	17	○ White
12051906021	3/8"	1/8"	24.5	21	
12051906041	3/8"	1/4"	24.5	21	
12051908041	1/2"	1/4"	27.0	26	
12051908061	1/2"	3/8"	27.0	26	
12051912041	3/4"	1/4"	34.0	35	
12051912081	3/4"	1/2"	34.0	35	

Note: Packing 25 unit

NPT Pipe Reducing Coupling

Cat. No.	F (NPT)	F1 (NPT)	L mm	SW	Colour
12061904021	1/4"	1/8"	22.0	17	○ White
12061906021	3/8"	1/8"	24.4	22	
12061906041	3/8"	1/4"	24.8	22	
12061908041	1/2"	1/4"	27.0	26	
12061908061	1/2"	3/8"	26.8	26	

Note: Packing 25 unit



BSPT Pipe Bushing

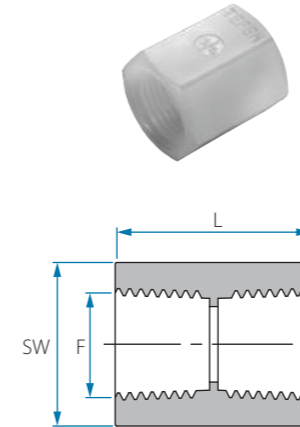
Cat. No.	M (BSPT)	F (BSPT)	L mm	SW	Colour
12051004021	1/4"	1/8"	17.2	14	○ White
12051006021	3/8"	1/8"	17.8	17	
12051006041	3/8"	1/4"	17.8	17	
12051008021	1/2"	1/8"	20.7	22	
12051008041	1/2"	1/4"	20.4	22	
12051008061	1/2"	3/8"	20.7	22	
12051012041	3/4"	1/4"	22	27	
12051012061	3/4"	3/8"	22.2	27	
12051012081	3/4"	1/2"	22.4	27	

Note: Packing 25 unit

NPT Pipe Bushing

Cat. No.	M (NPT)	F (NPT)	L mm	SW	Colour
12061004021	1/4"	1/8"	21.0	14	○ White
12061006021	3/8"	1/8"	20.8	18	
12061006041	3/8"	1/4"	20.8	18	
12061008021	1/2"	1/8"	27.2	24	
12061008041	1/2"	1/4"	27.2	24	
12061008061	1/2"	3/8"	27.1	24	
12061012041	3/4"	1/4"	27.0	29	
12061012061	3/4"	3/8"	27.2	29	
12061012081	3/4"	1/2"	27.3	29	

Note: Packing 25 unit



BSPT Female Pipe Coupling

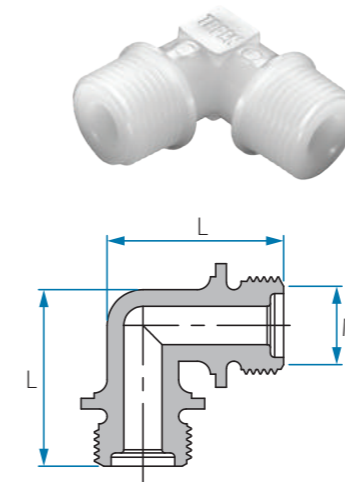
Cat. No.	F (BSPT)	L mm	SW	Colour
12050302021	1/8"	20.0	14	○ White
12050304041	1/4"	23.6	17	
12050306061	3/8"	24.5	21	
12050308081	1/2"	29.7	26	
12050312121	3/4"	38.0	34	

Note: Packing 25 unit

NPT Female Pipe Coupling

Cat. No.	F (NPT)	L mm	SW	Colour
12060302021	1/8"	19.7	14	○ White
12060304041	1/4"	23.5	17	
12060306061	3/8"	24.6	21	
12060308081	1/2"	29.5	26	

Note: Packing 25 unit



BSPT Threaded Elbow

Cat. No.	M (BSPT)	L mm	Colour
12056502001	1/8"	24.4	○ White
12056504001	1/4"	26.4	
12056506001	3/8"	31.8	
12056508001	1/2"	40.2	

Note: Packing 25 unit

NPT Threaded Elbow

Cat. No.	M (NPT)	L mm	Colour
12066502001	1/8"	23.8	○ White
12066504001	1/4"	28.4	

Note: Packing 25 unit

Fittings - PVDF

PVDF



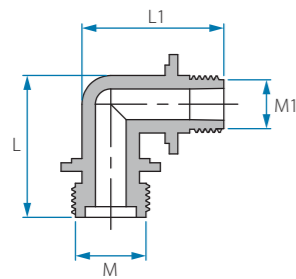
Working pressure
Up to 14 BAR
(200 psi) at 20 °C



Temperature
-20 °C - 120 °C
(subject to application)



Fittings' dimensions
refer to tube ID or OD, with respect to
the common application.



BSPT Reducing Threaded Elbow

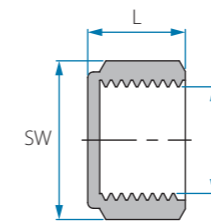
Cat. No.	M (BSPT)	M1 (BSPT)	L mm	L1 mm	Colour
12056904021	1/4"	1/8"	26.4	24.4	○ White
12056906041	3/8"	1/4"	31.8	31.5	
12056908061	1/2"	3/8"	40.0	38.1	

Note: Packing 25 unit

NPT Reducing Threaded Elbow

Cat. No.	M (NPT)	M1 (NPT)	L mm	L1 mm	Colour
12066904021	1/4"	1/8"	28.4	24.0	○ White

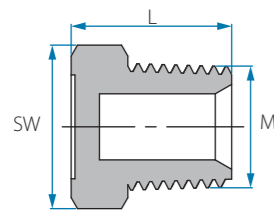
Note: Packing 25 unit



BSPT Pipe Cap

Cat. No.	F (BSPT)	L mm	SW	Colour
12050802001	1/8"	10.4	13	○ White
12050804001	1/4"	14.2	17	
12050806001	3/8"	14.2	20	
12050808001	1/2"	17.1	24	
12050812001	3/4"	17.1	30	

Note: Packing 25 unit



BSPT Hex Threaded Plug

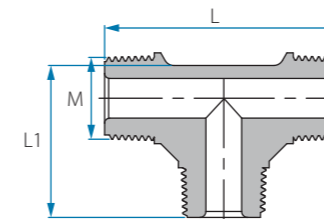
Cat. No.	M (BSPT)	L mm	SW	Colour
12052102001	1/8"	13.6	12	○ White
12052104001	1/4"	16.6	15	
12052106001	3/8"	16.1	18	
12052108001	1/2"	19.6	22	
12052112001	3/4"	22.0	27	
12052116001	1"	27.0	36	

Note: Packing 25 unit

NPT Hex Threaded Plug

Cat. No.	M (NPT)	L mm	SW	Colour
12062102001	1/8"	14.7	11	○ White
12062104001	1/4"	19.4	14	
12062106001	3/8"	20.4	17	
12062108001	1/2"	25.6	22	
12062112001	3/4"	26.0	27	

Note: Packing 25 unit



BSPT Threaded T Connector

Cat. No.	M (BSPT)	L mm	L1 mm	Colour
12056402001	1/8"	39.8	24.1	○ White
12056404001	1/4"	44.0	26.2	
12056406001	3/8"	50.5	32.0	
12056408001	1/2"	64.0	40.3	

Note: Packing 25 unit

NPT Threaded T Connector

Cat. No.	M (NPT)	L mm	L1 mm	Colour
12066402001	1/8"	39.3	24.0	○ White
12066404001	1/4"	48.4	28.5	

Note: Packing 25 unit

Fittings - PVDF

PVDF



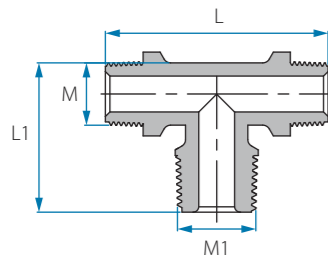
Working pressure
Up to 14 BAR
(200 psi) at 20 °C



Temperature
-20 °C - 120 °C
(subject to application)



Fittings' dimensions
refer to tube ID or OD, with respect to
the common application.



BSPT Reducing Threaded T

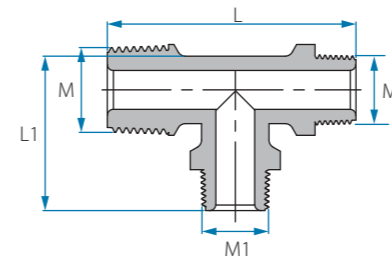
Cat. No.	M (BSPT)	M1 (BSPT)	L mm	L1 mm	Colour
12057102041	1/8"	1/4"	39.7	26.4	○ White
12057104021	1/4"	1/8"	43.3	24.2	
12057104061	1/4"	3/8"	38.2	43.3	
12057106041	3/8"	1/4"	60.2	26.4	
12057108061	1/2"	3/8"	64.2	38.2	
12057106081	3/8"	1/2"	60.2	40.4	

Note: Packing 25 unit

NPT Reducing Threaded T

Cat. No.	M (NPT)	M1 (NPT)	L mm	L1 mm	Colour
12067104021	1/4"	1/8"	48.4	24.0	○ White

Note: Packing 25 unit



BSPT Reducing Threaded Run T

Cat. No.	M (BSPT)	M1 (BSPT)	L mm	L1 mm	Colour
12057204021	1/4"	1/8"	41.8	26.3	○ White
12057206041	3/8"	1/4"	48.3	30.8	
12057208061	1/2"	3/8"	62.0	40.0	
12057202041	1/8"	1/4"	42.7	25.5	
12057204061	1/4"	3/8"	48.5	31.0	
12057206081	3/8"	1/2"	62.0	38.2	

Note: Packing 25 unit

NPT Reducing Threaded Run T

Cat. No.	M (NPT)	M1 (NPT)	L mm	L1 mm	Colour
12067204021	1/4"	1/8"	41.8	26.3	○ White

Note: Packing 25 unit

Fittings - Tight Push

ACETAL



Working pressure
Up to 14 BAR
(200 psi) at 20 °C



Temperature
-20 °C - 90 °C
(subject to application)



Reducing Connector

Cat. No.	Tube OD mm	Tube OD2 mm	SW	Colour
22005646442	6	4	15	● Black
22005648442	8	4	17	
22005648462	8	6	17	
22005650462	10	6	19	
22005650482	10	8	19	
22005652482	12	8	22	
22005652502	12	10	22	

Cat. No.	Tube OD inch	Tube OD2 inch	SW	Colour
22005604032	1/4"	3/16"	15	● Black
22005605032	5/16"	3/16"	17	
22005605042	5/16"	1/4"	17	
22005606042	3/8"	1/4"	19	
22005606052	3/8"	5/16"	19	
22005608052	1/2"	5/16"	22	
22005608062	1/2"	3/8"	22	

Note: 25 Units per Package
* Minimum order 500 pcs



Union Connector

Cat. No.	Tube OD mm	SW	Colour
22006244002	4	14	● Black
22006246002	6	15	
22006248002	8	16	
22006250002	10	19	
22006252002	12	22	

Cat. No.	Tube OD inch	SW	Colour
22006203002	3/16"	14	● Black
22006204002	1/4"	15	
22006205002	5/16"	16	
22006206002	3/8"	19	
22006208002	1/2"	22	

Note: Packing 25 unit
* Minimum order 500 pcs



Union Elbow

Cat. No.	Tube OD mm	Colour
22006544002	4	● Black
22006546002	6	
22006548002	8	
22006550002	10	
22006552002	12	

Cat. No.	Tube OD inch	Colour
22006503002	3/16"	● Black
22006504002	1/4"	
22006505002	5/16"	
22006506002	3/8"	
22006508002	1/2"	

Note: Packing 25 unit
* Minimum order 500 pcs



Male Elbow

Cat. No.	Tube OD mm	M (BSPT)	Colour
22006944022	4	1/8"	● Black
22006944042	4	1/4"	
22006946022	6	1/8"	
22006946042	6	1/4"	
22006948022	8	1/8"	
22006948042	8	1/4"	
22006950042	10	1/4"	
22006950062	10	3/8"	
22006952062	12	3/8"	
22006952082	12	1/2"	

Cat. No.	Tube OD inch	M (BSPT)	Colour
22006903022	3/16"	1/8"	● Black
22006903042	3/16"	1/4"	
22006904022	1/4"	1/8"	
22006904042	1/4"	1/4"	
22006905022	5/16"	1/8"	
22006905042	5/16"	1/4"	
22006906042	3/8"	1/4"	
22006906062	3/8"	3/8"	
22006908062	1/2"	3/8"	
22006908082	1/2"	1/2"	

Note: Packing 25 unit
* Minimum order 500 pcs

Fittings - Tight Push

ACETAL



Working pressure
Up to 14 BAR
(200 psi) at 20 °C



Temperature
-20 °C - 90 °C
(subject to application)



BSPT Male Connector

Cat. No.	Tube OD mm	M (BSPT)	SW	Colour
22006844022	4	1/8"	14	● Black
22006844042	4	1/4"	14	
22006846022	6	1/8"	15	
22006846042	6	1/4"	15	
22006848022	8	1/8"	16	
22006848042	8	1/4"	16	
22006850042	10	1/4"	19	
22006850062	10	3/8"	19	
22006852062	12	3/8"	22	
22006852082	12	1/2"	22	

Cat. No.	Tube OD inch	M (BSPT)	SW	Colour
22006803022	3/16"	1/8"	14	● Black
22006803042	3/16"	1/4"	14	
22006804022	1/4"	1/8"	15	
22006804042	1/4"	1/4"	15	
22006805022	5/16"	1/8"	16	
22006805042	5/16"	1/4"	16	
22006806042	3/8"	1/4"	19	
22006806062	3/8"	3/8"	19	
22006808062	1/2"	3/8"	22	
22006808082	1/2"	1/2"	22	

Note: Packing 25 unit
* Minimum order 500 pcs



BSPT Female Connector

Cat. No.	Tube OD mm	F (BSPT)	SW	Colour
22006644022	4	1/8"	15	● Black
22006644042	4	1/4"	175	
22006646022	6	1/8"	15	
22006646042	6	1/4"	17	
22006648022	8	1/8"	17	
22006648042	8	1/4"	17	
22006648062	8	3/8"	17	
22006648082	8	1/2"	17	
22006650022	10	1/8"	19	
22006650042	10	1/4"	19	
22006650062	10	3/8"	19.5	
22006650082	10	1/2"	19.5	
22006652062	12	3/8"	22.5	
22006652082	12	1/2"	24	

Cat. No.	Tube OD inch	F (BSPT)	SW	Colour
22006603022	3/16"	1/8"	15	● Black
22006603042	3/16"	1/4"	175	
22006604022	1/4"	1/8"	15.5	
22006604042	1/4"	1/4"	175	
22006605022	5/16"	1/8"	17	
22006605042	5/16"	1/4"	17	
22006605062	5/16"	3/8"	17	
22006605082	5/16"	1/2"	17	
22006606022	3/8"	1/8"	19	
22006606042	3/8"	1/4"	19	
22006606062	3/8"	3/8"	19	
22006606082	3/8"	1/2"	19	
22006608062	1/2"	3/8"	22	
22006608082	1/2"	1/2"	24	

Note: Packing 25 unit
* Minimum order 500 pcs

Fittings - Tight Push

ACETAL



Working pressure
Up to 14 BAR
(200 psi) at 20 °C



Temperature
-20 °C - 90 °C
(subject to application)



Union T Connector

Cat. No.	Tube OD mm	Colour
22006444442	4	● Black
22006446462	6	
22006448482	8	
22006450502	10	
22006452522	12	

Cat. No.	Tube OD inch	Colour
22006403032	3/16"	● Black
22006404042	1/4"	
22006405052	5/16"	
22006406062	3/8"	
22006408082	1/2"	

Note: Packing 25 unit
* Minimum order 500 pcs



Male Run T

Cat. No.	Tube OD mm	M (BSPT)	Colour
22007244022	4	1/8"	● Black
22007244042	4	1/4"	
22007246022	6	1/8"	
22007246042	6	1/4"	
22007248022	8	1/8"	
22007248042	8	1/4"	
22007250042	10	1/4"	
22007250062	10	3/8"	
22007252062	12	3/8"	
22007252082	12	1/2"	

Cat. No.	Tube OD inch	M (BSPT)	Colour
22007203022	3/16"	1/8"	● Black
22007203042	3/16"	1/4"	
22007204022	1/4"	1/8"	
22007204042	1/4"	1/4"	
22007205022	5/16"	1/8"	
22007205042	5/16"	1/4"	
22007206042	3/8"	1/4"	
22007206062	3/8"	3/8"	
22007208062	1/2"	3/8"	
22007208082	1/2"	1/2"	

Note: Packing 25 unit
* Minimum order 500 pcs



Male Branch T


Cat. No.	Tube OD mm	M (BSPT)	Colour
22007144022	4	1/8"	● Black
22007144042	4	1/4"	
22007146022	6	1/8"	
22007146042	6	1/4"	
22007148022	8	1/8"	
22007148042	8	1/4"	
22007150042	10	1/4"	
22007150062	10	3/8"	
22007152062	12	3/8"	
22007152082	12	1/2"	


Cat. No.	Tube O inch D	M (BSPT)	Colour
22007103022	3/16"	1/8"	● Black
22007103042	3/16"	1/4"	
22007104022	1/4"	1/8"	
22007104042	1/4"	1/4"	
22007105022	5/16"	1/8"	
22007105042	5/16"	1/4"	
22007106042	3/8"	1/4"	
22007106062	3/8"	3/8"	
22007108062	1/2"	3/8"	
22007108082	1/2"	1/2"	

Note: Packing 25 unit
* Minimum order 500 pcs

Fittings - Barb Block

REINFORCED POLYPROPYLENE

 Working pressure
Up to 14 BAR
(200 psi) at 20 °C

 Temperature
4 °C - 90 °C
(subject to application)

Fittings' dimensions refer to tube ID or OD, with respect to the common application.

Union Connector

Cat. No.	OD mm	L mm	SW	Colour
22046246008	6	32.7	14	● Blue
22046248008	8	32.7	14	
22046252008	12	40.6	19	

Cat. No.	OD inch	L mm	SW	Colour
22046204008	1/4"	32.7	14	● Navy Blue
22046205008	5/16"	32.7	14	
22046208008	1/2"	40.6	19	

Cat. No.	OD inch	L mm	SW	Colour
22246204003	1/4"	32.5	14	● Grey
22246205003	5/16"	32.6	14	
22246208003	1/2"	40.4	19	

Note: Packing 25 unit

Reducing Connector

Cat. No.	OD mm	OD1 mm	L mm	SW	Colour
22045648468	8	6	32.7	14	● Blue

Cat. No.	OD inch	OD1 inch	L mm	SW	Colour
22045605048	5/16"	1/4"	32.7	14	● Navy Blue
22245605043	5/16"	1/4"	32.7	14	

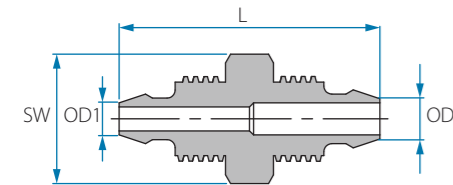
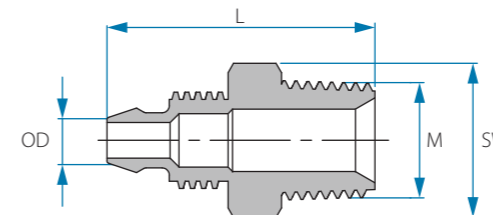
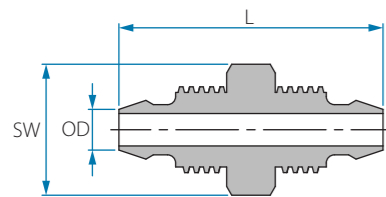
Note: Packing 25 unit

BSPT Male Connector

Cat. No.	OD mm	M (BSPT)	L mm	SW	Colour	
22046846028	6	1/8"	27.5	13	● Blue	
22046846048	6	1/4"	29.7	14		
22046846068	6	3/8"	32.5	17		
22046846088	6	1/2"	35.5	22		
22046846128	6	3/4"	36.6	27		
22046848028	8	1/8"	27.6	13		
22046848048	8	1/4"	29.5	14		
22046848068	8	3/8"	31.4	17		
22046848088	8	1/2"	36.1	22		
22046848128	8	3/4"	36.6	27		
22046850048	10	1/4"	35.8	17		
22046850068	10	3/8"	35.8	17		
22046850088	10	1/2"	38.9	22		
22046850128	10	3/4"	39.7	27		
22046852048	12	1/4"	37.3	14		
22046852068	12	3/8"	37.3	17		
22046852088	12	1/2"	40.1	22		
22046852128	12	3/4"	40.1	27		
22046848022	8	1/8"	27.6	13		● Black
22046852082	12	1/2"	40.1	22		


Cat. No.	OD inch	M (BSPT)	L mm	SW	Colour	
22046804028	1/4"	1/8"	27.5	13	● Navy Blue	
22046804048	1/4"	1/4"	29.7	15		
22046804068	1/4"	3/8"	32.5	17		
22046804088	1/4"	1/2"	35.5	22		
22046804128	1/4"	3/4"	36.6	27		
22046805028	5/16"	1/8"	27.6	13		
22046805048	5/16"	1/4"	29.5	14		
22046805068	5/16"	3/8"	31.4	17		
22046806048	3/8"	1/4"	35.8	17		
22046806068	3/8"	3/8"	35.8	17		
22046806088	3/8"	1/2"	38.9	22		
22046806128	3/8"	3/4"	39.7	27		
22046808048	1/2"	1/4"	37.3	17		
22046808068	1/2"	3/8"	37.3	17		
22046808088	1/2"	1/2"	40.1	22		
22046808128	1/2"	3/4"	40.1	27		
22046804041	1/4"	1/4"	29.7	15		○ White
22046804081	1/4"	1/2"	35.5	22		
22046804121	1/4"	3/4"	36.6	27		


Note: Packing 25 unit



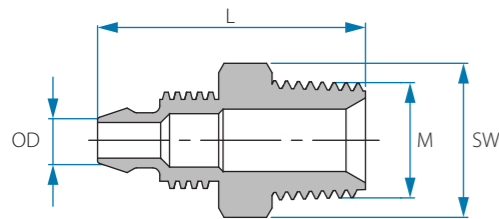
Fittings - Barb Block

REINFORCED POLYPROPYLENE

 Working pressure
Up to 14 BAR
(200 psi) at 20 °C

 Temperature
4 °C - 90 °C
(subject to application)

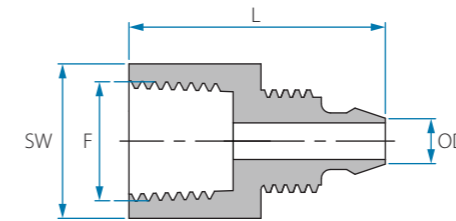
Fittings' dimensions
refer to tube ID or OD,
with respect to the
common application.



NPT Male Connector

Cat. No.	OD inch	M (NPT)	L mm	SW	Colour
22246804023	1/4"	1/8"	29.4	11	● Grey
22246804043	1/4"	1/4"	34.0	14	
22246804063	1/4"	3/8"	35.1	17	
22246804083	1/4"	1/2"	40.2	22	
22246804123	1/4"	3/4"	41.0	27	
22246805023	5/16"	1/8"	29.4	11	
22246805043	5/16"	1/4"	34.0	14	
22246805063	5/16"	3/8"	35.1	17	
22246805083	5/16"	1/2"	40.2	22	
22246805123	5/16"	3/4"	41.1	27	
22246806043	3/8"	1/4"	37.6	14	
22246806063	3/8"	3/8"	38.6	17	
22246806083	3/8"	1/2"	43.7	22	
22246806123	3/8"	3/4"	44.4	27	
22246808043	1/2"	1/4"	38.8	14	
22246808063	1/2"	3/8"	40.0	17	
22246808083	1/2"	1/2"	45.0	22	
22246808123	1/2"	3/4"	45.7	27	

Note: Packing 25 unit



BSPT Female Connector

Cat. No.	OD mm	F (BSPT)	L mm	SW	Colour
22046646028	6	1/8"	26.3	14	● Blue
22046646048	6	1/4"	27.8	17	
22046648028	8	1/8"	26.3	14	
22046648048	8	1/4"	28.0	17	
22046648068	8	3/8"	30.6	22	
22046648088	8	1/2"	32.5	26	
22046648548	8	M14X1.5	28.1	17	
22046650048	10	1/4"	31.7	17	
22046650068	10	3/8"	33.0	22	
22046650088	10	1/2"	35.4	26	

Cat. No.	OD inch	F (BSPT)	L mm	SW	Colour
22046604028	1/4"	1/8"	26.3	14	● Navy Blue
22046604048	1/4"	1/4"	27.8	17	
22046605028	5/16"	1/8"	26.3	14	
22046605048	5/16"	1/4"	28.0	17	
22046605068	5/16"	3/8"	30.6	22	
22046605088	5/16"	1/2"	32.5	26	
22046606048	3/8"	1/4"	31.7	17	
22046606068	3/8"	3/8"	33.0	22	
22046606088	3/8"	1/2"	35.4	26	

Note: Packing 25 unit


NPT Female Connector

Cat. No.	OD inch	F (NPT)	L mm	SW	Colour
22246604023	1/4"	1/8"	26.3	14	● Grey
22246605023	5/16"	1/8"	26.3	14	
22246605043	5/16"	1/4"	32.1	17	
22246605063	5/16"	3/8"	32.2	22	
22246605083	5/16"	1/2"	37.5	27	
22246606043	3/8"	1/4"	34.5	17	
22246606063	3/8"	3/8"	34.5	22	
22246606083	3/8"	1/2"	38.0	27	

Note: Packing 25 unit

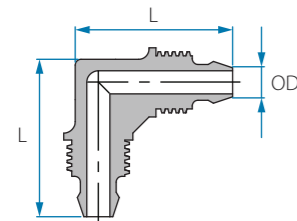
Fittings - Barb Block

REINFORCED POLYPROPYLENE

 **Working pressure**
Up to 14 BAR
(200 psi) at 20 °C

 **Temperature**
4 °C - 90 °C
(subject to application)

Fittings' dimensions
↓ refer to tube ID or OD,
↑ with respect to the
common application.



Union Elbow

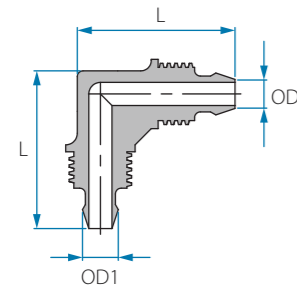
Cat. No.	OD mm	L mm	Colour
22046546008	6	274	Blue
22046548008	8	274	
22046552008	12	405	
22046548002	8	274	Black

Cat. No.	OD inch	L mm	Colour
22046504008	1/4"	274	Navy Blue
22046505008	5/16"	274	
22046508008	1/2"	405	
22046508002	1/2"	405	Black

Note: Packing 25 unit

Cat. No.	OD inch	L mm	Colour
22246504003	1/4"	275	Grey
22246505003	5/16"	275	
22246508003	1/2"	405	

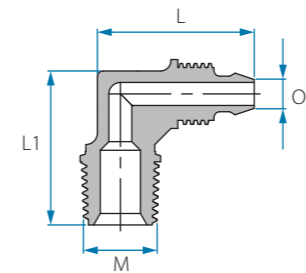
Note: Packing 25 unit



Reducing Elbow

Cat. No.	OD mm	OD1 mm	L mm	Colour
22045748468	8	6	273	Blue

Note: Packing 25 unit



BSPT Male Elbow

Cat. No.	OD mm	M (BSPT)	L mm	L1 mm	Colour
22046946028	6	1/8"	276	22.4	Blue
22046946048	6	1/4"	276	26.8	
22046948028	8	1/8"	276	26.8	
22046948048	8	1/4"	276	26.8	
22046948068	8	3/8"	28.1	29.4	
22046952048	12	1/4"	40.3	31.7	
22046952068	12	3/8"	40.3	32.0	
22046952088	12	1/2"	40.3	36.0	
22046946022	6	1/8"	276	22.4	Black
22046948022	8	1/8"	276	26.8	

Cat. No.	OD inch	M (BSPT)	L mm	L1 mm	Colour
22046904028	1/4"	1/8"	276	22.4	Navy Blue
22046904048	1/4"	1/4"	276	26.8	
22046905028	5/16"	1/8"	276	26.8	
22046905048	5/16"	1/4"	276	26.8	
22046905068	5/16"	3/8"	28.1	29.4	
22046908048	1/2"	1/4"	40.3	31.7	
22046908068	1/2"	3/8"	40.3	32.0	
22046908088	1/2"	1/2"	40.3	36.0	
22046908082	1/2"	1/2"	40.3	36.0	Black
22046904041	1/4"	1/4"	26.7	26.8	White

Note: Packing 25 unit


NPT Male Elbow

Cat. No.	OD inch	M (NPT)	L mm	L1 mm	Colour
22246904023	1/4"	1/8"	275	24.0	Grey
22246904043	1/4"	1/4"	275	29.0	
22246905023	5/16"	1/8"	275	24.0	
22246905043	5/16"	1/4"	275	28.9	

Note: Packing 25 unit

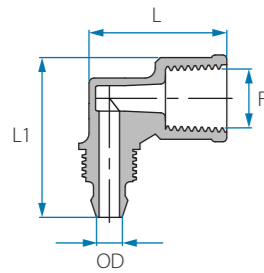
Fittings - Barb Block

REINFORCED POLYPROPYLENE

 Working pressure
Up to 14 BAR
(200 psi) at 20 °C

 Temperature
4 °C - 90 °C
(subject to application)

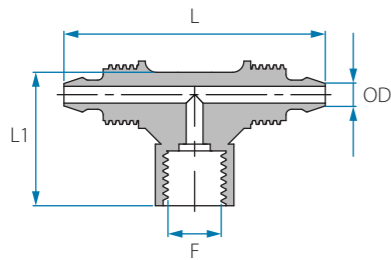
Fittings' dimensions refer to tube ID or OD, with respect to the common application.



BSPT Female Elbow

Cat. No.	OD mm	F (BSPT)	L mm	L1 mm	Colour
22046046028	6	1/8"	25.1	273	Blue
22046046048	6	1/4"	270	273	
22046048048	8	1/4"	270	273	
22046046022	6	1/8"	25.1	273	Black
22046046042	6	1/4"	270	273	
22046048042	8	1/4"	270	273	

Note: Packing 25 unit

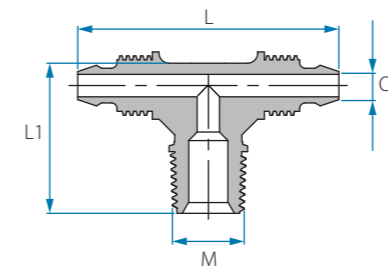


BSPT Female Branch T

Cat. No.	OD mm	F (BSPT)	L mm	L1 mm	Colour
22047346028	6	1/8"	46.6	25.0	Blue
22047348048	8	1/4"	46.8	272	

Cat. No.	OD inch	F (BSPT)	L mm	L1 mm	Colour
22047304028	1/4"	1/8"	46.6	25.0	Navy Blue
22047305048	5/16"	1/4"	46.8	272	

Note: Packing 25 unit



BSPT Male Branch T

Cat. No.	OD mm	M (BSPT)	L mm	L1 mm	Colour
22047146028	6	1/8"	46.8	22.6	Blue
22047146048	6	1/4"	46.8	26.8	
22047148028	8	1/8"	46.8	22.6	
22047148048	8	1/4"	46.8	26.8	
22047148068	8	3/8"	472	29.4	
22047152048	12	1/4"	670	31.6	
22047152068	12	3/8"	670	32.0	
22047152088	12	1/2"	670	36.0	
22047146042	6	1/4"	46.8	26.8	Black
22047148022	8	1/8"	46.8	22.6	
22047148042	8	1/4"	46.8	26.8	

Cat. No.	OD inch	M (BSPT)	L mm	L1 mm	Colour
22047104028	1/4"	1/8"	46.8	22.6	Navy Blue
22047104048	1/4"	1/4"	46.8	26.8	
22047105028	5/16"	1/8"	46.8	22.6	
22047105048	5/16"	1/4"	46.8	26.8	
22047105068	5/16"	3/8"	472	29.4	
22047108048	1/2"	1/4"	670	31.6	
22047108068	1/2"	3/8"	670	32.0	
22047104041	1/4"	1/4"	46.8	26.8	White

Note: Packing 25 unit


NPT Male Branch T

Cat. No.	OD inch	M (NPT)	L mm	L1 mm	Colour
22247104023	1/4"	1/8"	47.7	24.1	Grey
22247104043	1/4"	1/4"	46.6	28.9	
22247105023	5/16"	1/8"	46.7	24.1	
22247105043	5/16"	1/4"	46.7	28.9	
22247108063	1/2"	3/8"	66.8	32.0	
22247108083	1/2"	1/2"	66.8	36.1	
22247105022	5/16"	1/8"	46.7	24.1	Black

Note: Packing 25 unit

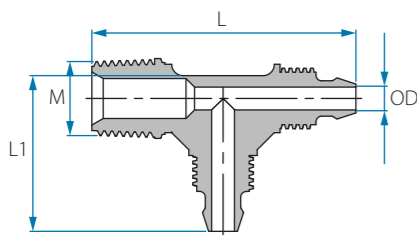
Fittings - Barb Block

REINFORCED POLYPROPYLENE

 Working pressure
Up to 14 BAR
(200 psi) at 20 °C

 Temperature
4 °C - 90 °C
(subject to application)

Fittings' dimensions
refer to tube ID or OD,
with respect to the
common application.



BSPT Male Run T

Cat. No.	OD mm	M (BSPT)	L mm	L1 mm	Colour
22047246028	6	1/8"	41.9	275	Blue
22047246048	6	1/4"	46.2	275	Blue
22047248028	8	1/8"	41.9	275	Blue
22047248048	8	1/4"	46.2	275	Blue
22047248068	8	3/8"	58.8	43.2	Blue
22047252048	12	1/4"	57.7	40.3	Blue
22047252068	12	3/8"	59.0	40.5	Blue
22047252088	12	1/2"	62.7	40.4	Blue

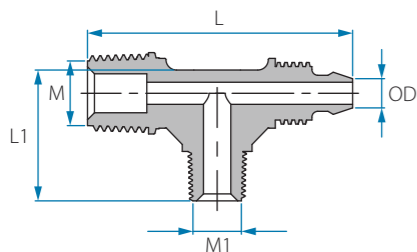
Cat. No.	OD inch	M (BSPT)	L mm	L1 mm	Colour
22047204028	1/4"	1/8"	41.9	275	Navy Blue
22047204048	1/4"	1/4"	46.2	275	Navy Blue
22047205028	5/16"	1/8"	41.9	275	Navy Blue
22047205048	5/16"	1/4"	46.2	275	Navy Blue
22047205068	5/16"	3/8"	58.8	43.2	Navy Blue
22047208048	1/2"	1/4"	57.7	40.3	Navy Blue
22047208068	1/2"	3/8"	59.0	40.5	Navy Blue
22047208088	1/2"	1/2"	62.7	40.4	Navy Blue
22047204041	1/4"	1/4"	46.2	275	White

Note: Packing 25 unit

NPT Male Run T

Cat. No.	OD inch	M (NPT)	L mm	L1 mm	Colour
22247204023	1/4"	1/8"	43.4	274	Grey
22247204043	1/4"	1/4"	48.2	274	Grey
22247205023	5/16"	1/8"	43.5	274	Grey
22247205043	5/16"	1/4"	48.3	274	Grey
22247205063	5/16"	3/8"	56.1	40.2	Grey

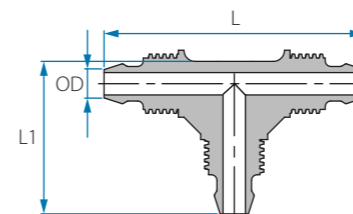
Note: Packing 25 unit



BSPT Male T - 2 threads

Cat. No.	OD mm	M inch	M1 inch	L mm	L1 mm	Colour
22047802048	8	1/4"	1/8"	46.2	22.6	Blue

Note: Packing 25 unit



Union T

Cat. No.	OD mm	L mm	L1 mm	Colour
22046446468	6	46.8	275	Blue
22046448488	8	46.8	275	Blue
22046452528	12	67.1	40.4	Blue

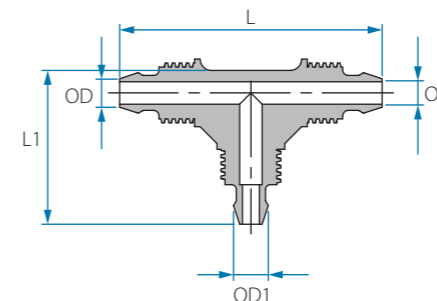
Cat. No.	OD inch	L mm	L1 mm	Colour
22046404041	1/4"	46.8	275	White
22046404048	1/4"	46.8	275	Navy Blue
22046405058	5/16"	46.8	275	Navy Blue
22046408088	1/2"	67.1	40.4	Navy Blue
22046404042	1/4"	46.8	275	Black
22046408082	1/2"	67.1	40.4	Black
22246404043	1/4"	46.7	274	Grey
22246405053	5/16"	46.7	274	Grey
22246408083	1/2"	67.0	40.4	Grey

Note: Packing 25 unit

Reducing T

Cat. No.	OD mm	OD1	L mm	L1 mm	Colour
22045846488	6	8	46.8	274	Blue
22045848468	8	6	46.8	274	Blue


Note: Packing 25 unit




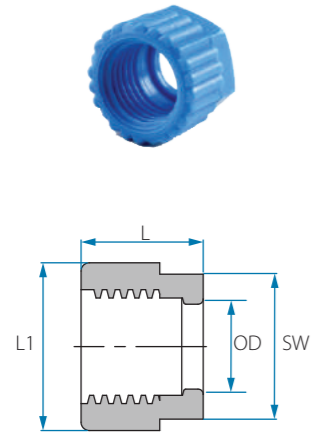
FLOW PRODUCTS

Fittings - Barb Block

REINFORCED POLYPROPYLENE

 Working pressure
Up to 14 BAR
(200 psi) at 20 °C

 Temperature
4 °C - 90 °C
(subject to application)



Nut for Union Connector


Cat. No.	OD mm	L mm	SW	Colour
32046146001	6	11.9	16	White
32046146006	6	11.9	16	Red
32046146008	6	11.9	16	Blue
32046146009	6	11.9	16	Yellow
32046148001	8	11.9	16	White
32046148006	8	11.9	16	Red
32046148008	8	11.9	16	Blue
32046148009	8	11.9	16	Yellow
32046150002	10	14.2	16	Black
32046150008	10	14.2	19	Blue
32046150009	10	14.2	19	Yellow
32046152002	12	17.5	22	Black


Cat. No.	OD inch	L mm	SW	Colour
32046104001	1/4"	11.9	16	White
32046104002	1/4"	11.9	16	Black
32046104008	1/4"	11.9	16	Navy Blue
32046104009	1/4"	11.9	16	Yellow
32046105008	5/16"	11.9	16	Navy Blue
32046105009	5/16"	11.9	16	Yellow
32046106008	3/8"	14.2	19	Navy Blue
32046106009	3/8"	14.2	19	Yellow
32046108001	1/2"	17.5	22	White
32046108002	1/2"	17.5	22	Black
32046108006	1/2"	17.5	22	Red
32046108008	1/2"	17.5	22	Navy Blue
32046108009	1/2"	17.5	22	Yellow

Note: Use nuts with Tefen's barb fittings only

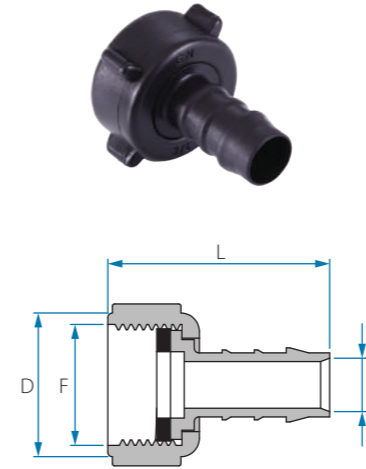
Fittings - Barb Connectors

POLYPROPYLENE

 Working pressure
Up to 14 BAR
(200 psi) at 20 °C

 Temperature
4 °C - 90 °C
(subject to application)

 Fittings' dimensions
refer to tube ID or OD, with respect to
the common application.



Female Swivel Hose Connector with Washer

Cat. No.	ID mm	F (BSPT)	L mm	D mm	Colour
22454746122	6	3/4"	26.7	33.5	Black
22454748122	8	3/4"	30.6	33.5	
22454748162	8	1"	30.6	39.7	
22454750122	10	3/4"	32.8	33.5	
22454752122	12	3/4"	33.7	33.5	
22454752162	12	1"	33.7	39.7	
22454754122	14	3/4"	35.0	33.5	
22454754162	14	1"	35.0	39.7	
22454756122	16	3/4"	35.7	33.5	
22454756162	16	1"	35.7	39.7	
22454759122	19	3/4"	36.8	33.5	
22454759162	19	1"	36.8	39.7	

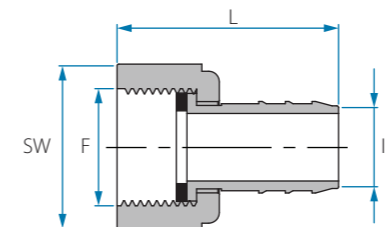
Cat. No.	ID inch	F (BSPT)	L mm	D mm	Colour
22454706122	3/8"	3/4"	32.8	33.5	Black
22454708122	1/2"	3/4"	33.7	33.5	
22454708162	1/2"	1"	33.7	39.7	
22454710122	5/8"	3/4"	35.7	33.5	
22454710162	5/8"	1"	35.7	39.7	
22454712122	3/4"	3/4"	36.8	33.5	
22454712162	3/4"	1"	36.8	39.7	

Note: Use flat seal with this fitting

Female Swivel Hose Connector with Washer

Cat. No.	ID mm	F (BSPT)	L	SW	Colour
22454750062	10	3/8"	32.8	17	Black
22454752082	12	1/2"	33.7	22	
22554765161	24	1"	36.8	36	White

Note: Use flat seal with this fitting



Fittings - Barb Connectors

POLYPROPYLENE



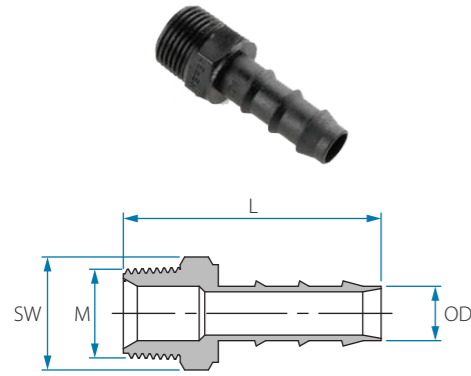
Working pressure
Up to 14 BAR
(200 psi) at 20 °C



Temperature
4 °C - 90 °C
(subject to application)



Fittings' dimensions
refer to tube ID or OD, with respect
to the common application.



Male Straight Hose Connector

Cat. No.	OD mm	M (BSPT)	L mm	SW	Colour
12456812022	12	1/8"	44.0	11	Black
12456812042	12	1/4"	47.7	14	Black
12456812062	12	3/8"	47.3	17	Black
12456812082	12	1/2"	50.8	22	Black
12456812122	12	3/4"	51.4	27	Black
12456816042	16	1/4"	47.6	14	Black
12456816082	16	1/2"	51.3	22	Black
12456816122	16	3/4"	52.0	27	Black
12456820082	20	1/2"	52.2	22	Black
12456820122	20	3/4"	54.0	27	Black
12456820162	20	1"	59.0	36	Black
12456825082	25	1/2"	53.3	22	Black
12456825122	25	3/4"	54.5	27	Black
12456825162	25	1"	59.0	36	Black
*12466817083	17	1/2"	45.2	22	Brown
*12466817123	17	3/4"	46.1	27	Brown

Note: Packing 25 unit
* Sharp barb (material: Acetal)

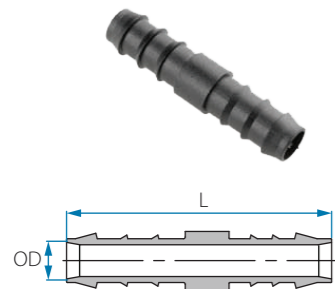


Reducing Hose Connector

Cat. No.	OD mm	OD1 mm	L mm	Colour
12455612162	16	12	71.5	Black
12455612202	20	12	74.2	Black
12455616202	20	16	74.2	Black
12455620252	25	20	76.8	Black
*12465612172	17	12	64.1	Black
*12465616172	17	16	66.0	Black
*12465617202	20	17	68.8	Black

Cat. No.	OD mm	ID mm	L mm	Colour
12455648122	12	8	63.8	Black
12455652202	20	12	72.6	Black
12455656202	20	16	75.6	Black
12455659202	20	19	75.4	Black
12455659252	25	19	75.3	Black

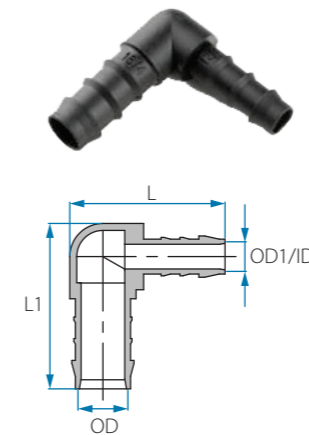
Note: Packing 25 unit
* Sharp barb (material: Acetal)



Union Hose Connector

Cat. No.	OD mm	L mm	Colour
12456212002	12	68.6	Black
12456216002	16	71.4	Black
12456220002	20	76.5	Black
12456225002	25	76.5	Black
*12466216002	16	49.0	Black
*12466216003	16	49.0	Brown
*12466217003	17	58.3	Brown

Note: Packing 25 unit
* Short configuration



Reducing Elbow Hose Connector

Cat. No.	OD mm	OD1 mm	L mm	L1 mm	Colour
12456612162	16	12	51.2	49.5	Black
12456612202	20	12	56.4	55.0	Black
12456616202	20	16	56.4	54.8	Black
12456620252	25	20	58.3	56.4	Black

Note: Packing 25 unit

Cat. No.	OD mm	ID mm	L mm	L1 mm	Colour
12456652202	20	12	56.2	52.2	Black
12456656202	20	16	56.6	55.5	Black
12456659202	20	19	55.2	56.4	Black
12456659252	25	19	58.4	57.4	Black

Note: Packing 25 unit

POLYPROPYLENE



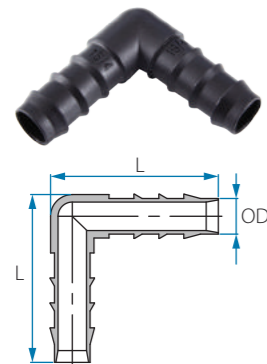
Working pressure
Up to 14 BAR
(200 psi) at 20 °C



Temperature
4 °C - 90 °C
(subject to application)



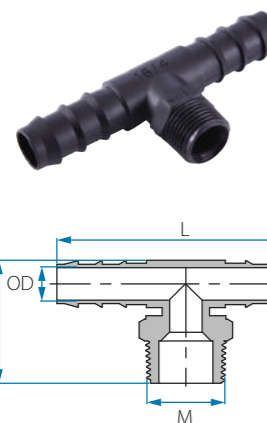
Fittings' dimensions
refer to tube ID or OD, with respect
to the common application.



Union Elbow Hose Connector

Cat. No.	OD mm	L mm	Colour
12456512002	12	48.2	● Black
12456516002	16	49.6	
12456520002	20	56.8	
12456525002	25	58.8	
*12466516003	16	40.5	● Brown
*12466517003	17	45.1	

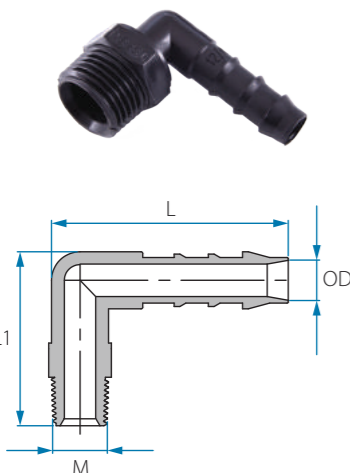
Note: Packing 25 unit
* Sharp barb (material: Acetal)



Male Branch T Hose Connector

Cat. No.	OD mm	M (BSPT)	L mm	L1 mm	Colour
12457112042	12	1/4"	84.7	34.1	● Black
12457112062	12	3/8"	84.9	34.3	
12457112082	12	1/2"	84.9	38.4	
12457112122	12	3/4"	84.8	38.9	
12457116062	16	3/8"	86.2	36.3	
12457116082	16	1/2"	86.2	40.0	
12457116122	16	3/4"	86.2	41.0	
12457120082	20	1/2"	93.7	45.5	
12457120122	20	3/4"	93.7	46.6	
12457125082	25	1/2"	93.7	47.6	
12457125122	25	3/4"	93.8	48.6	
*12467117083	17	1/2"	74.3	41.9	● Brown
*12467117123	17	3/4"	74.3	43.0	

Note: Packing 25 unit
* Sharp barb (material: Acetal)



BSPT Male Elbow Hose Connector

Cat. No.	OD mm	M (BSPT)	L mm	L1 mm	Colour
12456912042	12	1/4"	48.4	34.0	● Black
12456912062	12	3/8"	48.4	34.7	
12456912082	12	1/2"	48.4	38.0	
12456912122	12	3/4"	48.5	39.4	
12456916062	16	3/8"	51.1	36.2	
12456916082	16	1/2"	51.6	39.5	
12456916122	16	3/4"	51.1	41.0	
12456920082	20	1/2"	56.3	45.0	
12456920122	20	3/4"	56.0	46.8	
12456925082	25	1/2"	58.3	47.2	
12456925122	25	3/4"	58.7	48.5	
*12466917083	17	1/2"	45.5	41.9	● Brown
*12466917123	17	3/4"	45.7	43.1	

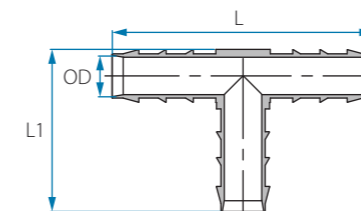
Note: Packing 25 unit
* Sharp barb (material: Acetal)



Union T Hose Connector

Cat. No.	OD mm	L mm	L1 mm	Colour
12456412122	12	72.7	44.6	● Black
12456416162	16	76.7	47.7	
12456420202	20	84.8	54.7	
12456425252	25	72.8	44.6	
*12466416163	16	76.7	47.7	● Brown
*12466417173	17	84.7	54.9	

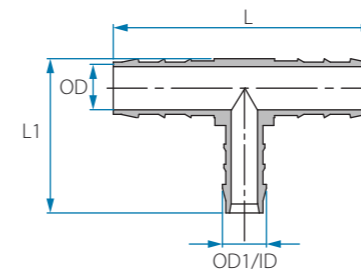
Note: Packing 25 unit
* Sharp barb (material: Acetal)



Reducing T Hose Connector

Cat. No.	OD1 mm	OD mm	L mm	L1 mm	Colour
12457212162	12	16	76.7	48.2	● Black
12457216202	16	20	84.6	52.3	
12457220252	20	25	88.7	58.6	

Note: Packing 25 unit



Reducing T Hose Connector

Cat. No.	OD mm	ID mm	L mm	L1 mm	Colour
12457246162	16	6	76.8	40.6	● Black
12457252202	20	12	84.7	55.2	
12457256202	20	16	84.9	53.0	
12457259202	20	19	84.7	53.0	

Note: Packing 25 unit

Fittings - Hose Fittings

NYLON 6-6



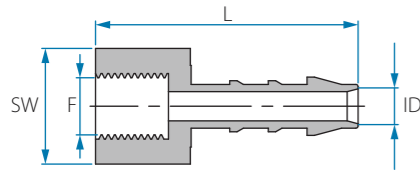
Working pressure
Up to 14 BAR
(200 psi) at 20 °C



Temperature
-20 °C - 110 °C
(subject to application)



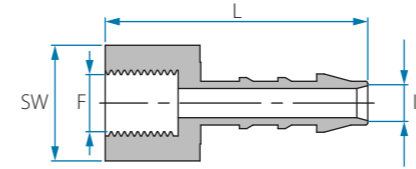
Fittings' dimensions
refer to tube ID or OD, with respect to
the common application.



BSPT Female Connector

Cat. No.	ID mm	F (BSPT)	L mm	SW	Colour
12446745028	5	1/8"	34.4	14	● Blue
12446745048	5	1/4"	35.2	17	● Blue
12446745068	5	3/8"	36.5	22	● Blue
12446745088	5	1/2"	38.7	26	● Blue
12446746028	6	1/8"	36.3	14	● Blue
12446746048	6	1/4"	37.2	17	● Blue
12446746068	6	3/8"	38.3	22	● Blue
12446746088	6	1/2"	40.8	26	● Blue
12446748028	8	1/8"	39.4	14	● Blue
12446748048	8	1/4"	39.4	17	● Blue
12446748068	8	3/8"	40.4	22	● Blue
12446748088	8	1/2"	42.7	26	● Blue
12446750048	10	1/4"	41.5	17	● Blue
12446750068	10	3/8"	42.3	22	● Blue
12446750088	10	1/2"	45.0	26	● Blue
12446752048	12	1/4"	42.4	17	● Blue
12446752068	12	3/8"	43.3	22	● Blue
12446752088	12	1/2"	46.0	26	● Blue
12446754068	14	3/8"	45.0	22	● Blue
12446754088	14	1/2"	47.3	26	● Blue
12446756088	16	1/2"	48.1	26	● Blue
12446759088	19	1/2"	48.8	26	● Blue
12446748041	8	1/4"	39.4	17	○ White

Note: Packing 25 unit



NPT Female Connector

Cat. No.	ID inch	F (NPT)	L mm	SW	Colour
12256704023	1/4"	1/8"	36.7	14	● Grey
12256704043	1/4"	1/4"	40.1	17	● Grey
12256704063	1/4"	3/8"	40.0	22	● Grey
12256704083	1/4"	1/2"	43.7	27	● Grey
12256705023	5/16"	1/8"	38.9	14	● Grey
12256705043	5/16"	1/4"	41.8	17	● Grey
12256705063	5/16"	3/8"	42.0	22	● Grey
12256705083	5/16"	1/2"	45.0	27	● Grey
12256706043	3/8"	1/4"	44.1	17	● Grey
12256706063	3/8"	3/8"	43.9	22	● Grey
12256706083	3/8"	1/2"	47.2	27	● Grey
12256708043	1/2"	1/4"	44.7	17	● Grey
12256708063	1/2"	3/8"	45.2	22	● Grey
12256708083	1/2"	1/2"	48.8	27	● Grey
12256709063	9/16"	3/8"	46.5	22	● Grey
12256709083	9/16"	1/2"	50.3	27	● Grey
12256710083	5/8"	1/2"	50.4	27	● Grey
12256712083	3/4"	1/2"	51.7	27	● Grey

Note: Packing 25 unit

Fittings - Hose Fittings

NYLON 6-6



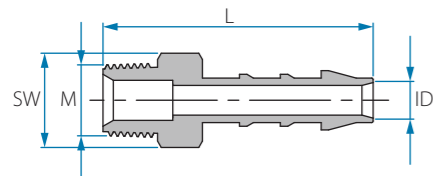
Working pressure
Up to 14 BAR
(200 psi) at 20 °C



Temperature
-20 °C - 110 °C
(subject to application)



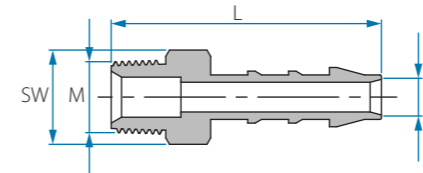
Fittings' dimensions
refer to tube ID or OD, with respect to
the common application.



BSPT Male Hose Connector

Cat. No.	ID mm	M (BSPT)	L mm	SW	Colour
12446844028	4	1/8"	31.2	11	● Blue
12446844048	4	1/4"	33.8	14	
12446845028	5	1/8"	34.7	11	
12446845048	5	1/4"	38.3	14	
12446845088	5	1/2"	41.4	22	
12446846028	6	1/8"	35.3	11	
12446846048	6	1/4"	39.2	14	
12446846068	6	3/8"	39.1	17	
12446846088	6	1/2"	42.3	22	
12446846128	6	3/4"	43.0	22	
12446848028	8	1/8"	39.8	11	
12446848048	8	1/4"	43.0	14	
12446848068	8	3/8"	43.0	17	
12446848088	8	1/2"	46.1	22	
12446848128	8	3/4"	47.1	27	
12446850048	10	1/4"	45.2	14	
12446850068	10	3/8"	45.2	17	
12446850088	10	1/2"	48.3	22	
12446850128	10	3/4"	49.3	27	
12446852048	12	1/4"	46.0	14	
12446852068	12	3/8"	46.0	17	
12446852088	12	1/2"	49.3	22	
12446852128	12	3/4"	50.0	27	
12446854068	14	3/8"	47.5	17	
12446854088	14	1/2"	50.8	22	
12446854128	14	3/4"	51.7	27	
12446856088	16	1/2"	51.3	22	
12446856128	16	3/4"	52.2	27	
12446859088	19	1/2"	52.2	22	
12446859128	19	3/4"	53.3	27	
12446859168	19	1"	60.1	36	
12446865128	25	3/4"	54.8	27	
12446865168	25	1"	66.6	36	

Note: Packing 25 unit



NPT Male Hose Connector

Cat. No.	ID inch	M (NPT)	L mm	SW	Colour
12256802023	5/32"	1/8"	30.7	11	● Grey
12256802043	5/32"	1/4"	35.3	14	
12256803023	3/16"	1/8"	36.3	11	
12256803043	3/16"	1/4"	39.7	14	
12256804023	1/4"	1/8"	36.1	11	
12256804043	1/4"	1/4"	40.6	14	
12256804063	1/4"	3/8"	41.9	17	
12256804083	1/4"	1/2"	46.7	22	
12256805023	5/16"	1/8"	40.2	11	
12256805043	5/16"	1/4"	44.7	14	
12256805063	5/16"	3/8"	45.9	17	
12256805083	5/16"	1/2"	51.0	22	
12256806043	3/8"	1/4"	46.5	14	
12256806063	3/8"	3/8"	47.7	17	
12256806083	3/8"	1/2"	53.2	22	
12256806123	3/8"	3/4"	54.3	27	
12256808043	1/2"	1/4"	47.7	14	
12256808063	1/2"	3/8"	48.9	17	
12256808083	1/2"	1/2"	53.7	22	
12256808123	1/2"	3/4"	54.7	27	
12256809063	9/16"	3/8"	51.0	17	
12256809083	9/16"	1/2"	55.4	22	
12256809123	9/16"	3/4"	56.1	27	
12256810083	5/8"	1/2"	56.3	22	
12256810123	5/8"	3/4"	56.8	27	
12256812083	3/4"	1/2"	56.9	22	
12256812123	3/4"	3/4"	57.7	27	

Note: Packing 25 unit

Fittings - Hose Fittings

NYLON 6-6



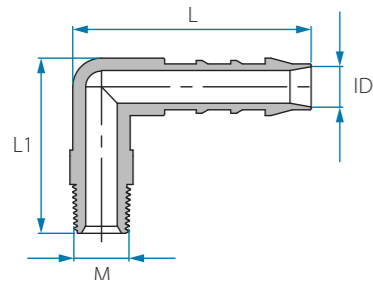
Working pressure
Up to 14 BAR
(200 psi) at 20 °C



Temperature
-20 °C - 110 °C
(subject to application)



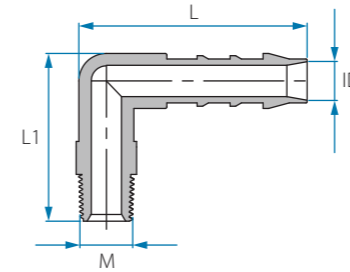
Fittings' dimensions
refer to tube ID or OD, with respect to
the common application.



BSPT Male Elbow Hose Connector

Cat. No.	ID mm	M (BSPT)	L mm	L1 mm	Colour
12446944028	4	1/8"	26.7	24.1	Blue
12446944048	4	1/4"	26.7	272	
12446945028	5	1/8"	31.8	26.8	
12446945048	5	1/4"	32.0	29.8	
12446945088	5	1/2"	31.8	33.0	
12446946028	6	1/8"	35.5	273	
12446946048	6	1/4"	35.5	29.8	
12446946068	6	3/8"	35.5	30.0	
12446946088	6	1/2"	35.5	33.7	
12446948028	8	1/8"	41.5	30.4	
12446948048	8	1/4"	41.5	32.8	
12446948068	8	3/8"	41.5	32.8	
12446948088	8	1/2"	41.5	36.8	
12446950048	10	1/4"	45.5	33.9	
12446950068	10	3/8"	45.5	34.1	
12446950088	10	1/2"	45.5	378	
12446950128	10	3/4"	45.5	38.9	
12446952048	12	1/4"	48.7	35.0	
12446952068	12	3/8"	48.7	35.3	
12446952088	12	1/2"	48.7	39.0	
12446952128	12	3/4"	48.7	39.7	
12446954068	14	3/8"	51.4	38.5	
12446954088	14	1/2"	51.4	42.3	
12446954128	14	3/4"	51.4	43.3	
12446956088	16	1/2"	53.7	44.9	
12446956128	16	3/4"	53.7	46.0	
12446959088	19	1/2"	56.0	46.4	
12446959128	19	3/4"	56.4	475	

Note: Packing 25 unit



NPT Male Elbow Hose Connector

Cat. No.	ID inch	M (NPT)	L mm	L1 mm	Colour
12256902023	5/32"	1/8"	25.7	26.0	Grey
12256902043	5/32"	1/4"	25.9	31.1	
12256903023	3/16"	1/8"	31.8	28.6	
12256903043	3/16"	1/4"	33.4	31.8	
12256903083	3/16"	1/2"	41.8	31.8	
12256904023	1/4"	1/8"	35.4	29.0	
12256904043	1/4"	1/4"	35.5	33.7	
12256904063	1/4"	3/8"	35.5	33.8	
12256904083	1/4"	1/2"	42.2	35.5	
12256905023	5/16"	1/8"	41.5	32.1	
12256905043	5/16"	1/4"	41.2	36.7	
12256905063	5/16"	3/8"	41.5	36.6	
12256905083	5/16"	1/2"	41.5	43.1	
12256906043	3/8"	1/4"	45.4	37.7	
12256906063	3/8"	3/8"	45.3	375	
12256906083	3/8"	1/2"	45.4	44.4	
12256906123	3/8"	3/4"	45.4	44.0	
12256908043	1/2"	1/4"	48.6	39.0	
12256908063	1/2"	3/8"	48.3	28.6	
12256908083	1/2"	1/2"	48.7	45.2	
12256908123	1/2"	3/4"	48.7	45.2	
12256909063	9/16"	3/8"	51.4	42.2	
12256909083	9/16"	1/2"	51.4	48.6	
12256909123	9/16"	3/4"	51.5	48.5	
12256910083	5/8"	1/2"	53.8	51.5	
12256910123	5/8"	3/4"	53.8	51.4	
12256912083	3/4"	1/2"	56.6	52.8	
12256912123	3/4"	3/4"	56.2	53.0	

Note: Packing 25 unit

Fittings - Hose Fittings

NYLON 6-6



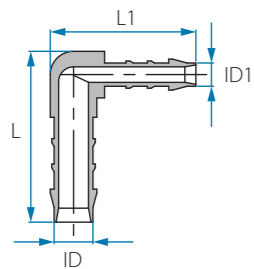
Working pressure
Up to 14 BAR
(200 psi) at 20 °C



Temperature
-20 °C - 110 °C
(subject to application)



Fittings' dimensions
refer to tube ID or OD, with respect to
the common application.

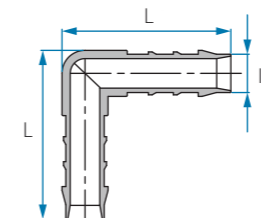


Reducing Elbow Hose Connector

Cat. No.	ID mm	ID1 mm	L mm	L1 mm	Colour
12446645448	5	4	31.8	27.8	Blue
12446646448	6	4	35.5	29.0	Blue
12446646458	6	5	35.4	34.1	Blue
12446648468	8	6	41.6	39.3	Blue
12446650468	10	6	45.3	40.1	Blue
12446650488	10	8	42.1	45.2	Blue
12446652508	12	10	48.7	45.6	Blue
12446654528	14	12	51.5	49.6	Blue
12446656548	16	14	53.8	53.6	Blue
12446659568	19	16	56.2	56.1	Blue

Cat. No.	ID inch	ID1 inch	L mm	L1 mm	Colour
12256603023	3/16"	5/32"	31.8	27.9	Grey
12256604033	1/4"	3/16"	35.4	34.1	Grey
12256605043	5/16"	1/4"	39.4	41.6	Grey
12256606043	3/8"	1/4"	40.2	45.3	Grey
12256606053	3/8"	5/16"	42.5	45.5	Grey
12256608063	1/2"	3/8"	45.8	48.6	Grey
12256609083	9/16"	1/2"	49.8	51.1	Grey
12256610093	5/8"	9/16"	53.6	53.6	Grey
12256612103	3/4"	5/8"	55.8	55.8	Grey

Note: Packing 25 unit

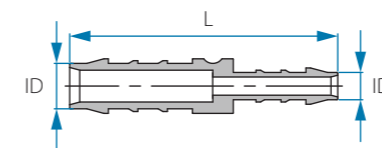


Union Elbow Hose Connector

Cat. No.	ID mm	L mm	Colour
12446544008	4	26.3	Blue
12446545008	5	31.7	Blue
12446546008	6	35.5	Blue
12446548008	8	41.4	Blue
12446550008	10	44.6	Blue
12446552008	12	46.3	Blue
12446554008	14	51.0	Blue
12446556008	16	53.9	Blue
12446559008	19	55.8	Blue

Cat. No.	ID inch	L mm	Colour
12256502003	5/32"	25.6	Grey
12256503003	3/16"	33.2	Grey
12256504003	1/4"	36.1	Grey
12256505003	5/16"	41.4	Grey
12256506003	3/8"	44.6	Grey
12256508003	1/2"	47.6	Grey
12256509003	9/16"	51.2	Grey
12256510003	5/8"	54.3	Grey
12256512003	3/4"	56.7	Grey

Note: Packing 25 unit



Reducing Hose Connector

Cat. No.	ID mm	ID1 mm	L mm	Colour
12445645448	5	4	42.2	Blue
12445646448	6	4	45.7	Blue
12445646458	6	5	50.6	Blue
12445648458	8	5	54.4	Blue
12445648468	8	6	56.3	Blue
12445650468	10	6	58.9	Blue
12445650488	10	8	62.0	Blue
12445652488	12	8	63.8	Blue
12445652508	12	10	65.3	Blue
12445654508	14	10	69.1	Blue
12445654528	14	12	69.9	Blue
12445656528	16	12	70.3	Blue
12445656548	16	14	71.7	Blue
12445659548	19	14	72.7	Blue
12445659568	19	16	73.2	Blue

Note: Packing 25 unit

Fittings - Hose Fittings

NYLON 6-6



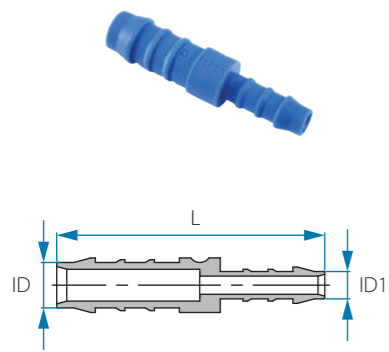
Working pressure
Up to 14 BAR
(200 psi) at 20 °C



Temperature
-20 °C - 110 °C
(subject to application)



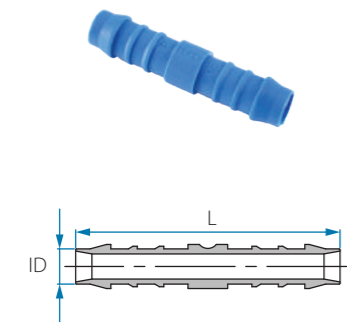
Fittings' dimensions
refer to tube ID or OD, with respect to
the common application.



Reducing Hose Connector

Cat. No.	ID inch	ID1 inch	L mm	Colour
12255603023	3/16"	5/32"	42.2	● Grey
12255604023	1/4"	5/32"	45.7	
12255604033	1/4"	3/16"	50.6	
12255605033	5/16"	3/16"	54.4	
12255605043	5/16"	1/4"	56.3	
12255606043	3/8"	1/4"	58.9	
12255606053	3/8"	5/16"	62.0	
12255608053	1/2"	5/16"	63.8	
12255608063	1/2"	3/8"	65.3	
12255609063	9/16"	3/8"	69.1	
12255609083	9/16"	1/2"	69.9	
12255610083	5/8"	1/2"	70.3	
12255610093	5/8"	9/16"	71.7	
12255612093	3/4"	9/16"	72.7	
12255612103	3/4"	5/8"	73.2	

Note: Packing 25 unit

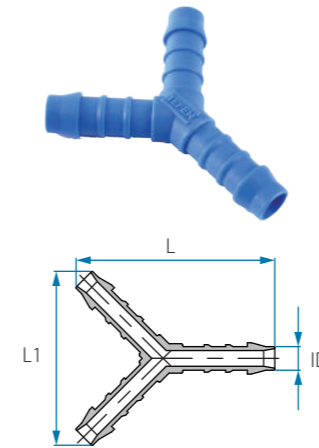


Union Hose Connector

Cat. No.	ID mm	L mm	Colour
12446244008	4	36.6	● Blue
12446245008	5	47.0	
12446246008	6	52.2	
12446248008	8	59.3	
12446250008	10	63.0	
12446252008	12	66.0	
12446254008	14	71.8	
12446256008	16	72.5	
12446259008	19	73.5	

Cat. No.	ID inch	L mm	Colour
12256202003	5/32"	36.6	● Grey
12256203003	3/16"	47.0	
12256204003	1/4"	52.2	
12256205003	5/16"	59.3	
12256206003	3/8"	63.0	
12256208003	1/2"	66.3	
12256209003	9/16"	71.9	
12256210003	5/8"	71.4	
12256211003	1 1/16"	59.1	
12256212003	3/4"	73.8	

Note: Packing 25 unit

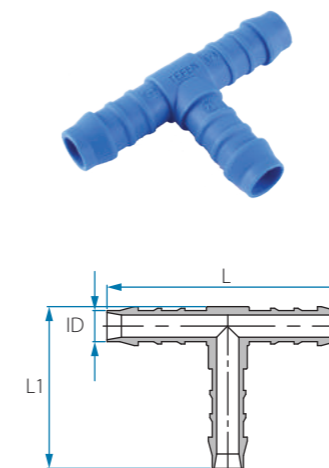


Y Hose Connector

Cat. No.	ID mm	L mm	L1 mm	Colour
12446344448	4	35.0	31.0	● Blue
12446346468	6	51.2	44.5	
12446348488	8	56.6	40.6	
12446350508	10	62.3	55.0	
12446357578	17	63.3	57.7	

Cat. No.	ID inch	L mm	L1 mm	Colour
12256302023	5/32"	35.5	30.8	● Grey
12256304043	1/4"	50.8	44.3	
12256305053	5/16"	55.6	49.4	
12256306063	3/8"	60.8	54.9	
12256311113	1 1/16"	62.5	57.4	

Note: Packing 25 unit



Union T Hose Connector

Cat. No.	ID mm	L mm	L1 mm	Colour
12446444448	4	39.5	24.3	● Blue
12446445458	5	50.7	30.8	
12446446468	6	55.8	34.0	
12446448488	8	61.7	38.5	
12446450508	10	66.5	41.2	
12446452528	12	70.5	44.8	
12446454548	14	76.3	49.1	
12446456568	16	79.2	52.1	
12446459598	19	84.4	55.7	
12446456562	16	79.2	52.1	● Black

Cat. No.	ID inch	L mm	L1 mm	Colour
12256402023	5/32"	39.4	24.3	● Grey
12256403033	3/16"	50.6	30.9	
12256404043	1/4"	55.7	34.1	
12256405053	5/16"	61.2	38.2	
12256406063	3/8"	66.5	41.4	
12256408083	1/2"	70.8	45.0	
12256409093	9/16"	76.3	49.1	
12256410103	5/8"	78.7	51.4	
12256412123	3/4"	83.8	55.9	

Note: Packing 25 unit

Fittings - Hose Fittings

NYLON 6-6



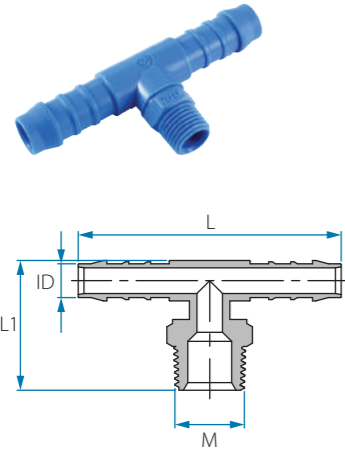
Working pressure
Up to 14 BAR
(200 psi) at 20 °C



Temperature
-20 °C - 110 °C
(subject to application)



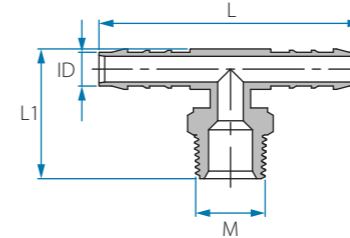
Fittings' dimensions
refer to tube ID or OD, with respect to
the common application.



BSPT Male Branch T Hose Connector

Cat. No.	ID mm	M (BSPT)	L mm	L1 mm	Colour
12447144028	4	1/8"	39.4	22.2	Blue
12447144048	4	1/4"	45.2	27.0	Blue
12447145028	5	1/8"	50.9	23.8	Blue
12447145048	5	1/4"	56.5	29.6	Blue
12447146028	6	1/8"	55.8	24.8	Blue
12447146048	6	1/4"	63.1	30.0	Blue
12447146068	6	3/8"	63.1	30.0	Blue
12447146088	6	1/2"	63.1	33.8	Blue
12447148028	8	1/8"	61.7	27.3	Blue
12447148048	8	1/4"	72.7	33.1	Blue
12447148068	8	3/8"	72.7	33.1	Blue
12447148088	8	1/2"	61.8	33.9	Blue
12447150048	10	1/4"	78.7	34.1	Blue
12447150068	10	3/8"	78.7	34.1	Blue
12447150088	10	1/2"	78.9	38.1	Blue
12447150128	10	3/4"	78.9	39.1	Blue
12447152048	12	1/4"	82.7	35.2	Blue
12447152068	12	3/8"	82.7	35.2	Blue
12447152088	12	1/2"	82.6	39.1	Blue
12447152128	12	3/4"	82.6	40.0	Blue
12447154068	14	3/8"	85.6	38.5	Blue
12447154088	14	1/2"	85.6	42.1	Blue
12447154128	14	3/4"	85.6	43.3	Blue
12447156088	16	1/2"	88.2	45.0	Blue
12447156128	16	3/4"	88.5	46.3	Blue
12447159088	19	1/2"	90.3	46.3	Blue
12447159128	19	3/4"	90.7	47.7	Blue

Note: Packing 25 unit



NPT Male Branch T Hose Connector

Cat. No.	ID inch	M (NPT)	L mm	L1 mm	Colour
12257102023	5/32"	1/8"	45.1	26.0	Grey
12257102043	5/32"	1/4"	45.1	30.7	Grey
12257103023	3/16"	1/8"	56.3	28.6	Grey
12257103043	3/16"	1/4"	56.3	33.4	Grey
12257103083	3/16"	1/2"	56.3	39.3	Grey
12257104023	1/4"	1/8"	63.0	29.4	Grey
12257104043	1/4"	1/4"	63.0	33.8	Grey
12257104063	1/4"	3/8"	63.0	33.7	Grey
12257104083	1/4"	1/2"	63.0	40.3	Grey
12257105023	5/16"	1/8"	72.5	32.3	Grey
12257105043	5/16"	1/4"	72.5	36.8	Grey
12257105063	5/16"	3/8"	72.5	36.9	Grey
12257105083	5/16"	1/2"	72.5	42.8	Grey
12257106043	3/8"	1/4"	78.5	38.0	Grey
12257106063	3/8"	3/8"	78.5	37.7	Grey
12257106083	3/8"	1/2"	78.5	44.0	Grey
12257106123	3/8"	3/4"	78.5	43.8	Grey
12257108043	1/2"	1/4"	82.6	39.3	Grey
12257108063	1/2"	3/8"	82.6	38.8	Grey
12257108083	1/2"	1/2"	82.6	45.5	Grey
12257108123	1/2"	3/4"	82.6	45.5	Grey
12257109063	9/16"	3/8"	85.2	42.6	Grey
12257109083	9/16"	1/2"	85.2	48.3	Grey
12257109123	9/16"	3/4"	85.2	48.3	Grey
12257110083	5/8"	1/2"	88.4	51.5	Grey
12257110123	5/8"	3/4"	88.4	51.1	Grey
12257112083	3/4"	1/2"	90.5	53.0	Grey
12257112123	3/4"	3/4"	90.5	52.5	Grey

Note: Packing 25 unit

Fittings - Hose Fittings

NYLON 6-6



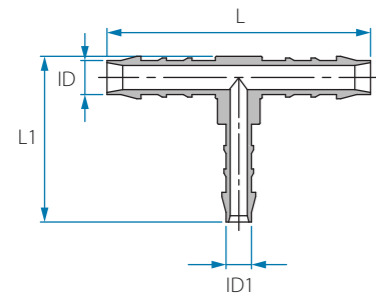
Working pressure
Up to 14 BAR
(200 psi) at 20 °C



Temperature
-20 °C - 110 °C
(subject to application)



Fittings' dimensions
refer to tube ID or OD, with respect to
the common application.



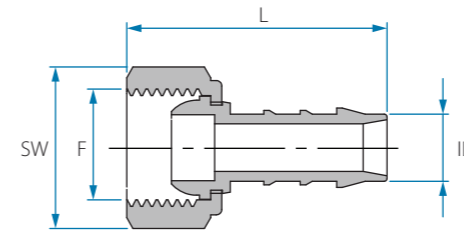
Reducing T Hose Connector

Cat. No.	ID mm	ID1 mm	L mm	L1 mm	Colour
12447245448	5	4	50.7	25.7	Blue
12447246458	6	5	55.7	31.8	Blue
12447248468	8	6	61.5	36.2	
12447250488	10	8	66.5	39.3	
12447252508	12	10	70.6	44.5	
12447254528	14	12	76.7	44.5	
12447256548	16	14	79.5	51.1	
12447259568	19	16	84.6	55.4	

Note: Packing 25 unit

Cat. No.	ID inch	ID1 inch	L mm	L1 mm	Colour
12257203023	3/16"	5/32"	50.6	25.9	Grey
12257204033	1/4"	3/16"	55.8	32.0	
12257205043	5/16"	1/4"	61.5	36.2	
12257206053	3/8"	5/16"	66.5	39.3	
12257208063	1/2"	3/8"	70.3	43.5	
12257209083	5/8"	1/2"	76.3	48.0	
12257210093	3/4"	5/8"	79.4	51.0	
12257212103	7/8"	3/4"	84.3	55.2	

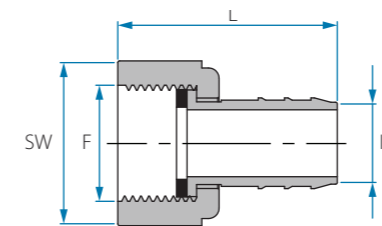
Note: Packing 25 unit



Note: No need for flat washer

Female Swivel Straight Hose Connector - Conical Seat

Cat. No.	ID mm	F (BSPT)	L mm	SW	Colour
22444644028	4	1/8"	275	13	Blue
22444644048	4	1/4"	31.7	17	
22444645028	5	1/8"	32.0	13	
22444645048	5	1/4"	36.2	17	
22444645068	5	3/8"	36.0	20	
22444646048	6	1/4"	37.3	17	
22444646068	6	3/8"	36.8	20	
22444646088	6	1/2"	39.5	24	
22444648048	8	1/4"	41.3	17	
22444648068	8	3/8"	40.8	20	
22444648088	8	1/2"	43.6	24	
22444648128	8	3/4"	43.4	30	
22444650068	10	3/8"	42.8	20	
22444650088	10	1/2"	43.6	24	
22444650128	10	3/4"	45.6	30	
22444652088	12	1/2"	46.7	24	
22444652128	12	3/4"	46.5	30	
22444654088	14	1/2"	48.9	24	
22444654128	14	3/4"	48.1	30	
22444656128	16	3/4"	48.5	30	
22444659128	19	3/4"	49.3	30	
22444648042	8	1/4"	41.3	17	Black
22444650062	10	3/8"	42.8	20	
22444652082	12	1/2"	46.7	24	




Note: Sealing is by flat washer
(order separately)


Female Swivel Straight Hose Connector

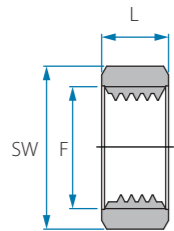
Cat. No.	ID mm	F (BSPT)	L mm	SW	Colour
22454765168	24	1"	618	44	Blue

Fittings - Threaded Connectors

NYLON 6-6

 Working pressure
Up to 14 BAR
(200 psi) at 20 °C

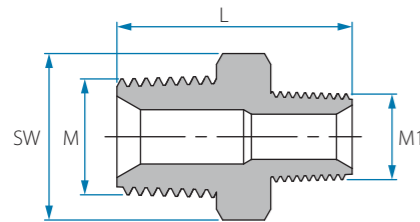
 Temperature
-20 °C - 110 °C
(subject to application)



Panel Mounting Nut

Cat. No.	F (BSPT)	L mm	SW	Colour
**32006100042	1/4"	5.0	17	● Black
32006100081	1/2"	11.6	26	○ White
32006100082	1/2"	11.6	26	● Black
32006100088	M20	11.6	26	● Blue
*32006100201	1/2"	5.0	26	○ White

Note: Packing 25 unit
* Thin configuration
** Acetal



BSPT Pipe Reducing Nipple

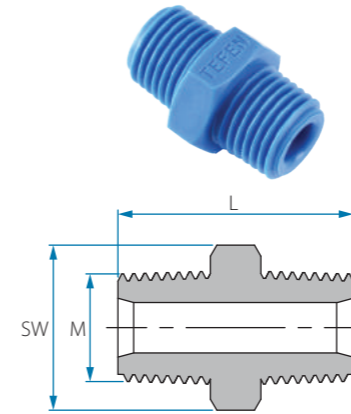
Cat. No.	M (BSPT)	M1 (BSPT)	L mm	SW	Colour
12012304028	1/4"	1/8"	25.2	14	● Blue
12012306028	3/8"	1/8"	27.1	17	
12012306048	3/8"	1/4"	28.5	17	
12012308048	1/2"	1/4"	31.5	22	
12012308068	1/2"	3/8"	31.5	22	

Note: Packing 25 unit

NPT Pipe Reducing Nipple

Cat. No.	M (NPT)	M1 (NPT)	L mm	SW	Colour
12022304023	1/4"	1/8"	28.4	14	● Grey
12022306023	3/8"	1/8"	29.6	17	
12022308023	1/2"	1/8"	34.9	22	
12022312023	3/4"	1/8"	35.4	27	
12022306043	3/8"	1/4"	33.4	17	
12022308043	1/2"	1/4"	38.7	22	
12022312043	3/4"	1/4"	39.4	27	
12022308063	1/2"	3/8"	39.1	22	
12022312063	3/4"	3/8"	39.6	27	
12022312083	3/4"	1/2"	44.1	27	

Note: Packing 25 unit



BSPT Pipe Hex Nipple

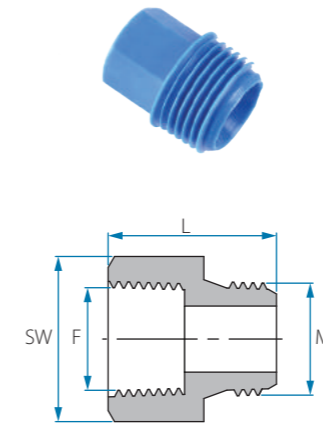
Cat. No.	M (BSPT)	L mm	SW	Colour
12012202028	1/8"	23.2	11	● Blue
12012204048	1/4"	27.1	14	
12012206068	3/8"	28.2	17	
12012208088	1/2"	34.1	22	

Note: Packing 25 unit

NPT Pipe Hex Nipple

Cat. No.	M (NPT)	L mm	SW	Colour
12022202023	1/8"	23.9	11	● Grey
12022204043	1/4"	32.7	14	
12022206063	3/8"	34.4	17	
12022208083	1/2"	43.3	22	
12022212123	3/4"	44.4	27	

Note: Packing 25 unit




BSPT Pipe Adaptor


Cat. No.	F (BSPT)	M (BSPT)	L mm	SW	Colour
12012002028	1/8"	1/8"	23.0	14	● Blue
12012002048	1/8"	1/4"	23.0	14	
12012002068	1/8"	3/8"	24.0	14	
12012002088	1/8"	1/2"	26.9	14	
12012004028	1/4"	1/8"	22.1	17	
12012004048	1/4"	1/4"	24.0	17	
12012004068	1/4"	3/8"	24.8	17	
12012004088	1/4"	1/2"	27.2	17	
12012006028	3/8"	1/8"	23.1	22	
12012006048	3/8"	1/4"	25.2	22	
12012006068	3/8"	3/8"	25.7	22	
12012006088	3/8"	1/2"	28.2	22	
12012008028	1/2"	1/8"	25.6	26	
12012008048	1/2"	1/4"	27.3	26	
12012008068	1/2"	3/8"	28.0	26	
12012008088	1/2"	1/2"	30.6	26	

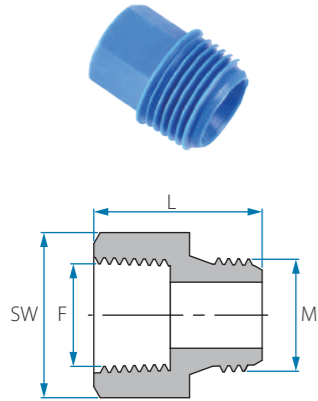
Note: Packing 25 unit

Fittings - Threaded Connectors

NYLON 6-6

 Working pressure
Up to 14 BAR
(200 psi) at 20 °C

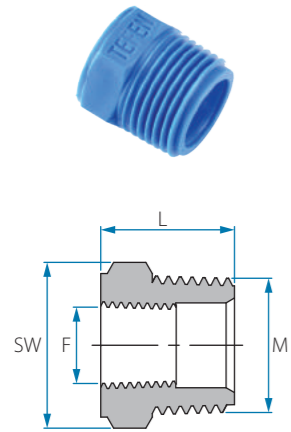
 Temperature
-20 °C - 110 °C
(subject to application)



NPT Pipe Adaptor

Cat. No.	F (NPT)	M (NPT)	L mm	SW	Colour
12022002023	1/8"	1/8"	23.4	14	● Grey
12022002043	1/8"	1/4"	23.4	14	● Grey
12022002063	1/8"	3/8"	27.4	14	● Grey
12022002083	1/8"	1/2"	32.5	14	● Grey
12022004023	1/4"	1/8"	26.5	17	● Grey
12022004043	1/4"	1/4"	30.7	17	● Grey
12022004063	1/4"	3/8"	30.5	17	● Grey
12022004083	1/4"	1/2"	35.5	17	● Grey
12022006023	3/8"	1/8"	26.3	22	● Grey
12022006043	3/8"	1/4"	26.5	22	● Grey
12022006063	3/8"	3/8"	30.4	22	● Grey
12022006083	3/8"	1/2"	35.5	22	● Grey
12022008023	1/2"	1/8"	30.0	26	● Grey
12022008043	1/2"	1/4"	34.0	26	● Grey
12022008063	1/2"	3/8"	36.6	26	● Grey
12022008083	1/2"	1/2"	39.0	26	● Grey

Note: Packing 25 unit



BSPT Pipe Bushing

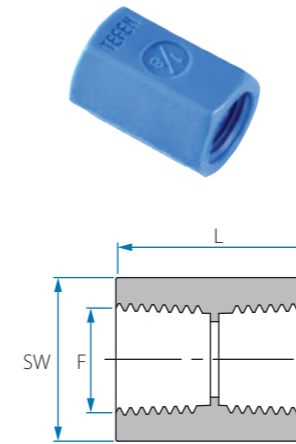
Cat. No.	M (BSPT)	F (BSPT)	L mm	SW	Colour
12011004028	1/4"	1/8"	17.2	14	● Blue
12011006028	3/8"	1/8"	17.8	17	● Blue
12011006048	3/8"	1/4"	17.8	17	● Blue
12011008028	1/2"	1/8"	20.7	22	● Blue
12011008048	1/2"	1/4"	20.4	22	● Blue
12011008068	1/2"	3/8"	20.7	22	● Blue
12011012048	3/4"	1/4"	22.0	27	● Blue
12011012068	3/4"	3/8"	22.2	27	● Blue
12011012088	3/4"	1/2"	22.4	27	● Blue

Note: Packing 25 unit

NPT Pipe Bushing

Cat. No.	M (NPT)	F (NPT)	L mm	SW	Colour
12021004023	1/4"	1/8"	21.0	15	● Grey
12021006023	3/8"	1/8"	20.8	18	● Grey
12021006043	3/8"	1/4"	20.8	19	● Grey
12021008023	1/2"	1/8"	27.2	24	● Grey
12021008043	1/2"	1/4"	27.1	19	● Grey
12021008063	1/2"	3/8"	27.2	29	● Grey
12021012043	3/4"	1/4"	27.0	29	● Grey
12021012063	3/4"	3/8"	27.2	29	● Grey
12021012083	3/4"	1/2"	27.3	29	● Grey

Note: Packing 25 unit



BSPT Female Pipe Coupling

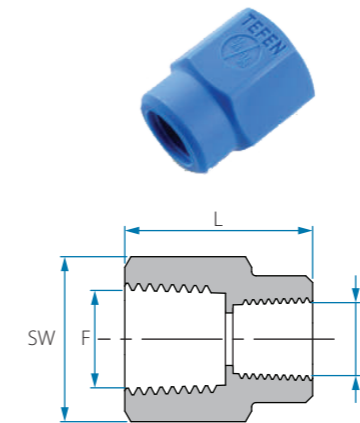
Cat. No.	F (BSPT)	L mm	SW	Colour
12010302021	1/8"	20.0	14	○ White
12010304042	1/4"	23.6	17	● Black
12010312122	3/4"	38.0	34	● Blue
12010302028	1/8"	20.0	14	● Blue
12010304048	1/4"	23.6	17	● Blue
12010306068	3/8"	24.5	21	● Blue
12010308088	1/2"	29.7	26	● Blue
12010312128	3/4"	38.0	34	● Blue

Note: Packing 25 unit

NPT Female Pipe Coupling

Cat. No.	F (NPT)	L mm	SW	Colour
12020302023	1/8"	19.7	14	● Grey
12020304043	1/4"	23.5	17	● Grey
12020306063	3/8"	24.6	22	● Grey
12020308083	1/2"	29.5	27	● Grey

Note: Packing 25 unit



BSPT Pipe Reducing Coupling

Cat. No.	F (BSPT)	F1 (BSPT)	L mm	SW	Colour
12011904028	1/4"	1/8"	22.0	17	● Blue
12011906028	3/8"	1/8"	24.5	21	● Blue
12011906048	3/8"	1/4"	24.5	21	● Blue
12011908048	1/2"	1/4"	27.0	26	● Blue
12011908068	1/2"	3/8"	27.0	26	● Blue
12011912048	3/4"	1/4"	30.1	34	● Blue
12011912088	3/4"	1/2"	35.0	34	● Blue

Note: Packing 25 unit

NPT Pipe Reducing Coupling

Cat. No.	F (NPT)	F1 (NPT)	L mm	SW	Colour
12021904023	1/4"	1/8"	22.0	17	● Grey
12021906023	3/8"	1/8"	24.4	22	● Grey
12021906043	3/8"	1/4"	24.8	22	● Grey
12021908043	1/2"	1/4"	27.0	26	● Grey
12021908063	1/2"	3/8"	26.8	26	● Grey

Note: Packing 25 unit

Fittings - Threaded Connectors

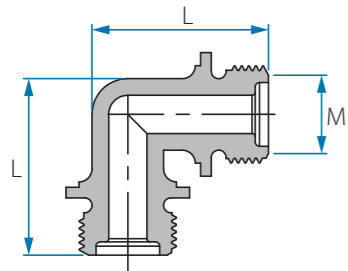
NYLON 6-6



Working pressure
Up to 14 BAR
(200 psi) at 20 °C



Temperature
-20 °C - 110 °C
(subject to application)



BSPT Threaded Elbow

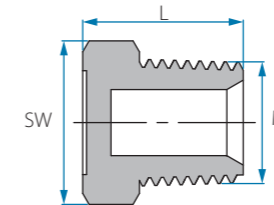
Cat. No.	M (BSPT)	L mm	Colour
12016502008	1/8"	24.4	Blue
12016504008	1/4"	26.4	Blue
12016506008	3/8"	31.8	
12016508008	1/2"	40.2	Black
12016502002	1/8"	24.4	
12016504001	1/4"	26.4	White
12016504002	1/4"	26.4	Black
12016504007	1/4"	26.4	Green

Note: Packing 25 unit

NPT Threaded Elbow

Cat. No.	M (NPT)	L mm	Colour
12026502003	1/8"	23.8	Grey
12026504003	1/4"	28.4	

Note: Packing 25 unit



BSPT Hex Threaded Plug

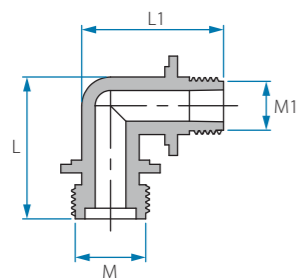
Cat. No.	M (BSPT)	L mm	SW	Colour
12012102008	1/8"	13.6	11	Blue
12012104008	1/4"	16.6	14	
12012106008	3/8"	16.1	17	
12012108008	1/2"	19.6	22	
12012112008	3/4"	22.0	27	
12012116008	1"	27.0	36	White
12012104001	1/4"	16.6	14	
12012104002	1/4"	16.6	14	

Note: Packing 25 unit

NPT Hex Threaded Plug

Cat. No.	M (NPT)	L mm	SW	Colour
12022102003	1/8"	14.7	11	Grey
12022104003	1/4"	19.4	14	
12022106003	3/8"	20.4	17	
12022108003	1/2"	25.6	22	
12022112003	3/4"	26.0	27	

Note: Packing 25 unit



BSPT Reducing Threaded Elbow

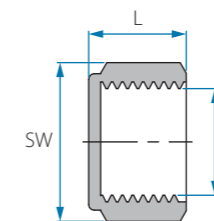
Cat. No.	M (BSPT)	M1 (BSPT)	L mm	L1 mm	Colour
12016904028	1/4"	1/8"	26.4	24.4	Blue
12016906048	3/8"	1/4"	31.8	31.5	
12016908068	1/2"	3/8"	40.0	38.1	

Note: Packing 25 unit

NPT Reducing Threaded Elbow

Cat. No.	M (NPT)	M1 (NPT)	L mm	L1 mm	Colour
12026904023	1/4"	1/8"	28.4	24.0	Grey

Note: Packing 25 unit



BSPT Pipe Cap


Cat. No.	F (BSPT)	L mm	SW	Colour
12010802008	1/8"	10.4	13	Blue
12010804008	1/4"	14.2	17	
12010806008	3/8"	14.2	20	
12010808008	1/2"	17.1	24	
12010812008	3/4"	17.1	30	


Note: Packing 25 unit

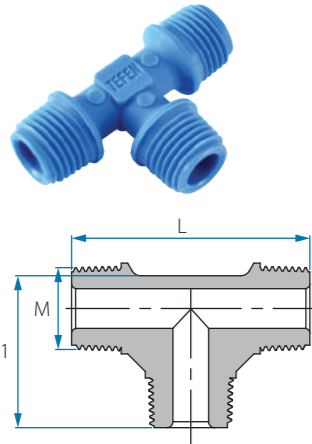
FLOW PRODUCTS

Fittings - Threaded Connectors

NYLON 6-6

 Working pressure
Up to 14 BAR
(200 psi) at 20 °C

 Temperature
-20 °C - 110 °C
(subject to application)



BSPT Pipe T

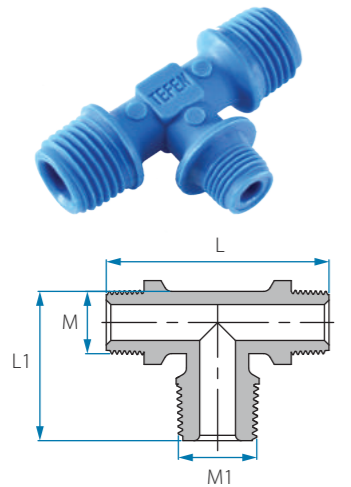
Cat. No.	M (BSPT)	L mm	L1 mm	Colour
12016402008	1/8"	39.8	24.1	Blue
12016404008	1/4"	44.0	26.2	
12016406008	3/8"	50.5	32.0	
12016408008	1/2"	64.0	40.3	

Note: Packing 25 unit

NPT Pipe T

Cat. No.	M (NPT)	L mm	L1 mm	Colour
12026402003	1/8"	39.3	24.0	Grey
12026404003	1/4"	48.4	28.5	

Note: Packing 25 unit



BSPT Pipe Reducing Branch T

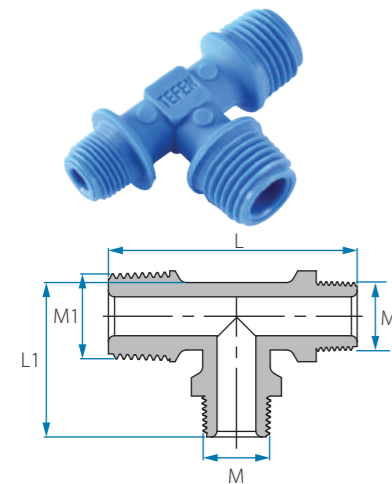
Cat. No.	M (BSPT)	M1 (BSPT)	L mm	L1 mm	Colour
12017102048	1/8"	1/4"	39.7	26.4	Blue
12017104028	1/4"	1/8"	43.3	24.2	
12017104068	1/4"	3/8"	43.3	38.2	
12017106048	3/8"	1/4"	60.2	26.4	
12017108068	1/2"	3/8"	64.2	38.2	
12017106088	3/8"	1/2"	60.2	40.4	

Note: Packing 25 unit

NPT Pipe Reducing Branch T

Cat. No.	M (BSPT)	M1 (BSPT)	L mm	L1 mm	Colour
12027104023	1/4"	1/8"	48.4	24.0	Grey

Note: Packing 25 unit



BSPT Pipe Reducing Run T

Cat. No.	M (BSPT)	M1 (BSPT)	L mm	L1 mm	Colour
12017204028	1/4"	1/8"	41.8	26.3	Blue
12017206048	3/8"	1/4"	48.3	30.8	
12017208068	1/2"	3/8"	62.0	40.0	
12017202048	1/8"	1/4"	42.7	25.5	
12017204068	1/4"	3/8"	48.5	31.0	
12017206088	3/8"	1/2"	62.0	38.2	


Note: Packing 25 unit


NPT Pipe Reducing Run T

Cat. No.	M (NPT)	M1 (NPT)	L mm	L1 mm	Colour
12027204023	1/4"	1/8"	41.8	26.3	Grey

Note: Packing 25 unit

Fittings - Quick Release

 Working pressure
Up to 14 BAR
(200 psi) at 20 °C

 Temperature
4 °C - 90 °C
(subject to application)

The special quick connector offers a fast and reliable push-to-connect mechanism. The movable outer sleeve locks the plug into the socket.

When the plug is disconnected, the socket acts as a shut-off valve.

A variety of plugs can be connected and used, according to hydraulic or pneumatic needs.

part	material
Body	Nylon 6-6
Internal parts	Acetal
spring	SS 316



Quick Release Socket

Cat. No.	F (BSPT)	L mm	SW	O-ring	Colour
22080004000	1/4"	44.0	19	NBR	Red
22081104002	1/4"	44.0	19	EPDM	

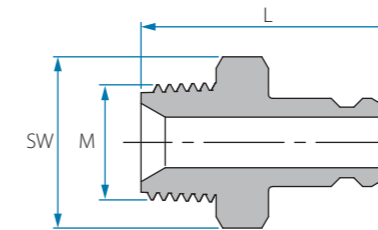
ACETAL



Plug - External Thread

Cat. No.	M (BSPT)	L mm	SW	Colour
12081404006	1/4"	31.2	17	Red

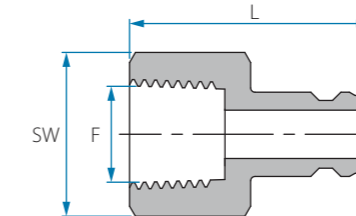
Note: Packing 25 unit



Plug - Internal Thread

Cat. No.	F (BSPT)	L mm	SW	Colour
12081504006	1/4"	28.6	17	Red

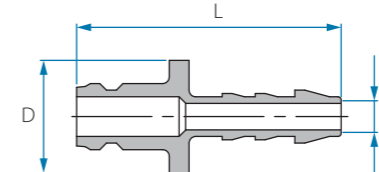
Note: Packing 25 unit



Plug - Hose Connector

Cat. No.	ID mm	L mm	D	Colour
12081645006	5	37.8	16.7	Red
12081646006	6	39.8	16.7	
12081648006	8	43.2	16.8	
12081650006	10	43.2	16.8	
12081652006	12	43.2	16.8	

Note: Packing 25 unit



Fittings' dimensions refer to tube ID or OD, with respect to the common application.

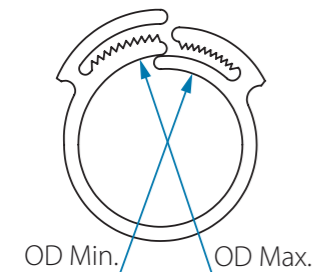
The Tefen snap clips are the simple and fast solution for securing flexible hoses and tubes on any barb fittings.

How to use: Insert the snap clip onto the tube on place, and give it a manual press to ensure snug joint.

Use a plier for final tightening.

How to release: apply lateral pressure to unlock it.

Main advantages: Strong, Durable, Reusable, reasonable price.



Snap Clip Acetal

Cat. No.	R	OD min - OD max	Colour
17090010002	R-8	8-10	● Black
17090012002	R-10	10-12	
17090013002	R-11	11-13	
17090015002	R-13	13-15	
17090016002	R-14	14-16	
17090017002	R-15	15-17	
17090018002	R-16	16-18	
17090019002	R-17	17-19	
17090020002	R-18	18-20	
17090021002	R-20	20-22	
17090023002	R-21	21-23	
17090025002	R-23	23-25	
17090028002	R-26	26-28	
17090049002	R-47	47-49	

BSPT Female Union Swivel Connector

Cat. No.	Tube OD mm	Thread BSPT inch	d small	Thread Type	SW	Colour
22044704121	¼"	¾"	6.2	BSPT	14	○ White
22044746121	6	¾"	6.2	BSPT	14	
22044648121	8	¾"	6.2	BSPT	14	
22044750121	10	¾"	6.2	BSPT	17	
22044752121	12	¾"	6.2	BSPT	19	

Note: POLYPROPYLENE

Product is sold without flat seal (can be ordered separately)

BSPT Female Union Swivel Connector

Cat. No.	Tube OD mm	Thread BSPT inch	d small	Thread Type	SW	SW1	Colour
22044746061	6	⅜"	6.2	BSPT	14	20	○ White
22044746081	6	½"	6.2	BSPT	14	24	
22044748061	8	⅜"	6.2	BSPT	14	20	
22044748081	8	½"	6.2	BSPT	14	24	
22044750081	10	½"	6.2	BSPT	14	24	

Note: POLYPROPYLENE



BSPT Female Elbow Swivel Connector

Cat. No.	OD mm	F (BSPT)	L mm	L1 mm	Material	Colour
22044548121	8	¾"	40.0	42.5	PP	○ White
224547E8121	8	¾"	40.0	42.5	Acetal	

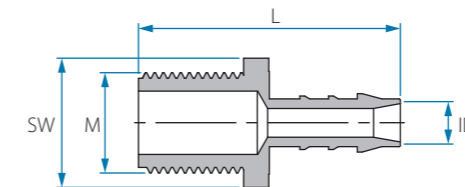
Note: Product is sold without flat seal (can be ordered separately)



Special Panel Male Hose Connector

Cat. No.	ID mm	M (BSPT)	L mm	SW	Colour
12P46850088	10	½"	53.4	27	● Blue

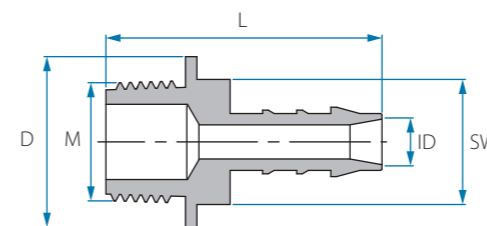
Note: Packing 25 unit



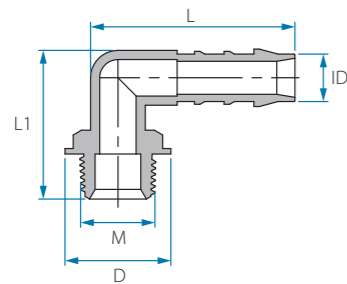
Flange Mounting Male Hose Connector

Cat. No.	ID mm	M (BSPT)	L mm	D mm	SW	Colour
12F46850088	10	½"	49.3	30.0	22	● Blue

Note: Packing 25 unit



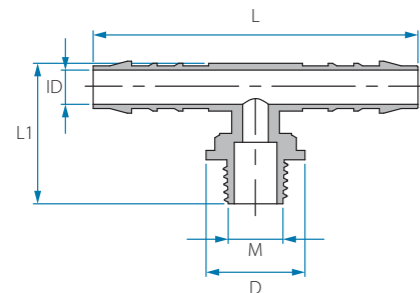
Fittings' dimensions refer to tube ID or OD, with respect to the common application.



BSPT Male Elbow Hose Connector - Flange

Cat. No.	ID mm	M (BSPT)	L mm	L1 mm	D mm	Colour
12F46950068	10	3/8"	45.7	34.7	23.5	Blue
12F46950088	10	1/2"	45.5	38.9	30.0	Blue

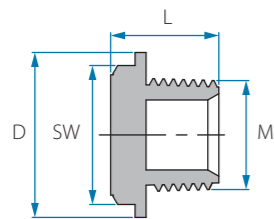
Note: Packing 25 unit



BSPT Flange Branch T Hose Connector

Cat. No.	ID mm	M (BSPT)	L mm	L1 mm	D mm	Colour
12F47150068	10	3/8"	79.0	34.5	23.5	Blue
12F47150088	10	1/2"	78.9	39.2	30.0	Blue

Note: Packing 25 unit



BSPT Hex Threaded Flange Plug

Cat. No.	M (BSPT)	L mm	SW	D mm	Colour
12012108L08	1/2"	21.9	22	29.9	Blue

Note: Packing 25 unit

Custom Made Threaded Plug

Cat. No.	M (NPT)	L mm	SW	Colour
12S22108003	1/2"	25.3	22	Grey

Note: Packing 25 unit

Custom Made Reducing Coupling

Cat. No.	F (NPT)	F1 (BSPT)	L mm	SW	Colour
12011908063	1/2"	3/8"	27.7	27	Grey

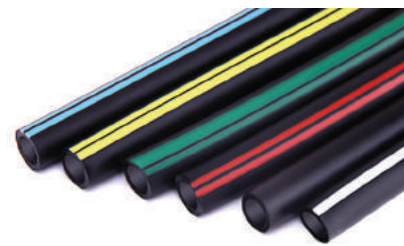
Note: Packing 25 unit

Flow Products



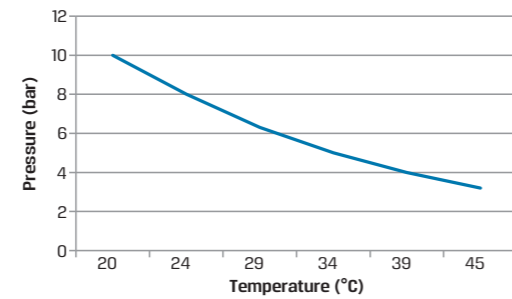
Tubes

LDPE



LDPE Control Tube

product code	OD mm	ID mm	Min Bend Radius	Roll Length	Burst Pressure
1403004620X	6	4	1"	200 m	32 bars
1403004650X	6	4	1"	500 m	32 bars
1403004810X	8	5.6	1½"	100 m	32 bars
1403004820X	8	5.6	1½"	200 m	32 bars
1403004850X	8	5.6	1½"	500 m	32 bars



LDPE Color coding

LDPE tubes: X stands for the color of the tube.

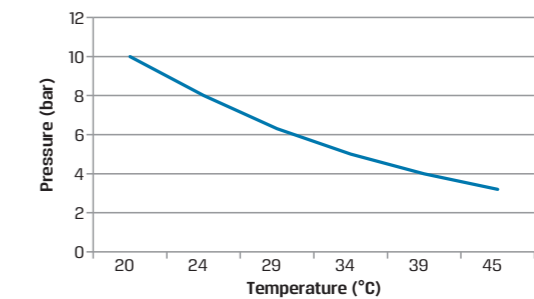
WRAS	Color
1	White
2	Black
6	Red
7	Green
8	Blue
9	Yellow



LDPE Tube

product code	OD mm	ID mm	Min Bend Radius	Roll Length	Burst Pressure
1403004410X	4	2.2	12	100 m	34 bars
1403004610X	6	4	1"	100 m	34 bars
1403000510X	8	5.3	35	100 m	32 bars
1403000510X	10	7	50	100 m	28 bars
14030005210X	12	9	75	100 m	28 bars

product code	OD inch	ID inch	Min Bend Radius	Roll Length	Burst Pressure
1403000310X	3/16"	0.117"	1/2"	100 m	34 bars
1403000410X	1/4"	0.170"	1"	100 m	32 bars
1403000510X	5/16"	0.212"	1½"	100 m	32 bars
1403000610X	3/8"	0.256"	2"	100 m	28 bars
1403000810X	1/2"	0.381"	3"	100 m	28 bars



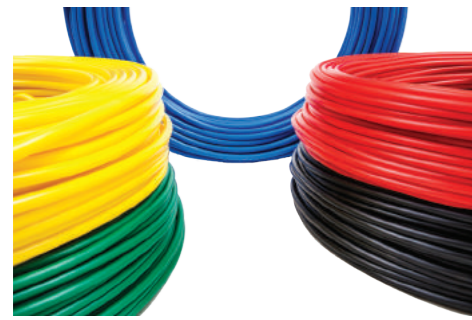
LDPE Color coding

tubes: X stands for the color of the tube.

WRAS	Color
1	Semi Transparent
2	Black
6	Red
7	Green
8	Blue
9	Yellow

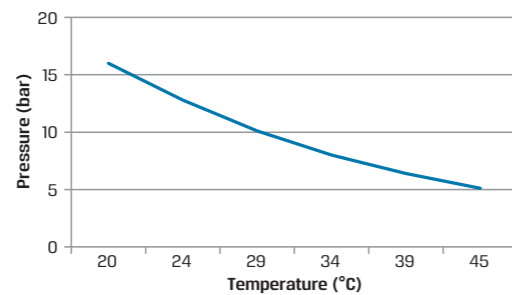
Tubes

HDPE



HDPE PN-16

product code	Name	OD mm	Wall Thickness	Nominal Pressure Bar (PSI)	Min Bend Radius	Roll Length
1402004610X	HDPE PN-88	6.00	1	16 (235.2)	30	100 m
1402004620X	HDPE PN-94	6.00	1	16 (235.2)	30	200 m
1402004650X	HDPE PN-100	6.00	1	16 (235.2)	30	500 m
1402000410X	HDPE PN-17	6.35 (1/4")	1 (0.039")	16 (235.2)	125"	100 m
1402000420X	HDPE PN-29	6.35 (1/4")	1 (0.039")	16 (235.2)	125"	200 m
1402000450X	HDPE PN-40	6.35 (1/4")	1 (0.039")	16 (235.2)	125"	500 m
1402004810X	HDPE PN-106	8.00	1.00	16 (235.2)	40	100 m
1402004820X	HDPE PN-112	8.00	1.00	16 (235.2)	40	200 m
1402004850X	HDPE PN-118	8.00	1.00	16 (235.2)	40	500 m
1402000510X	HDPE PN-52	8.00 (5/16")	1.00 (0.039")	16 (235.2)	16"	100 m
1402000520X	HDPE PN-64	8.00 (5/16")	1.00 (0.039")	16 (235.2)	16"	200 m
1402000550X	HDPE PN-76	8.00 (5/16")	1.00 (0.039")	16 (235.2)	16"	500 m



HDPE Color coding

HDPE tubes: X stands for the color of the tube.

1	○ Semi Transparent
2	● Black
6	● Red
7	● Green
8	● Blue
9	● Yellow

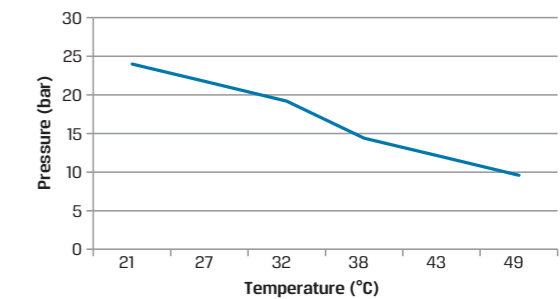
PVC



Plasticized PVC Tube

product code	OD mm	ID mm	Roll Length
1407000510X	5	3	100 m
1407000520X	5	3	200 m
1407000525X	5	3	250 m
1407000550X	5	3	500 m
1407000505X	5	3	50 m
1407006510X	6.5	4	100 m
1407006520X	6.5	4	200 m
1407000710X	7	4	100 m
1407000720X	7	4	200 m
1407000725X	7	4	250 m
1407000750X	7	4	500 m
1407464905X	9	6	50 m
*14070010102	10	7	100 m
1407001210X	12	7	100 m
1407001310X	13	9	100 m
1407001610X	16	11	100 m

* Available only in black



PVC Color coding

PVC tubes: X stands for the color of the tube.

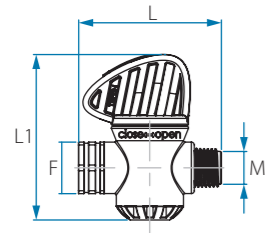
2	● Black
3	● Brown



Dual Tech Valve

Cat. No.	M (BSPT)	F (BSPT)	L mm	L1 mm	Material	Colour
23002404042	1/4"	1/4"	51.2	57.6	Acetal	● Black
23002504043	1/4"	1/4"	51.7	58.8	PP	● Grey
23002904041	1/4"	1/4"	51.8	59.0	PVDF	○ White

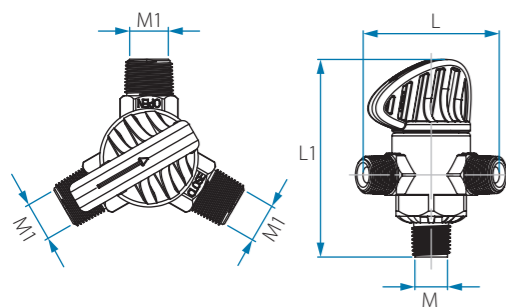
Note: All configurations (8 mm barb / 1/4" thread) available on demand



Trio Tech Valve

Cat. No.	M (BSPT)	M1 (BSPT)	L mm	L1 mm	Colour
23003403033	1/4"	1/8"	49.7	68.3	● Grey
23003404043	1/4"	1/4"	52.0	68.3	
23003408083	1/4"	8 mm	55.5	68.3	
**23003402483	1/4"	**	51.7	58.8	

Note: All configurations (8 mm barb / 1/4" / 1/8" thread) available on demand
** 8 mm barb connection

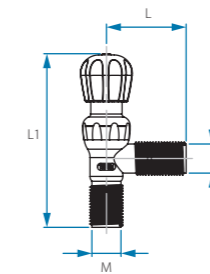


REINFORCED POLYPROPYLENE



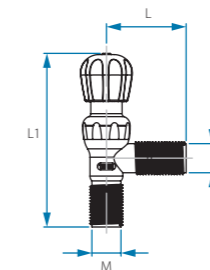
Fine Flow Needle Valve

Cat. No.	M (BSPP)	L mm	L1 mm	Handle Colour	Flow Range (l/h)	Seals
22272908011	1/2"	50.0	108-122	Orange	10-100	Viton



High Flow Needle Valve

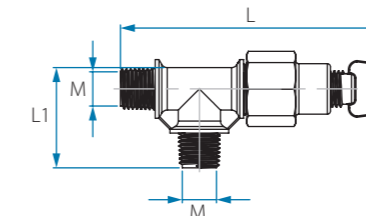
Cat. No.	M (BSPP)	L mm	L1 mm	Handle Colour	Flow Range (l/h)	Seals
22272908111	1/2"	50.0	108-122	Grey	100-1000	EPDM



Needle Valve

Cat. No.	M (BSPT)	M1 (BSPT)	L mm	L1 mm	Colour
22272904011	1/4"	1/4"	74.4-87.2	31.8	○ White
22272904012	1/4"	1/4"	74.4-87.2	31.8	● Black

Note: Material: Acetal



ACETAL

Tefen spray and fogging nozzles are specially designed for various applications.

They are ideal for adding humidity and cooling for different livestock applications, supermarkets vegetable refrigerators and industrial refrigerators,

- Fan Nozzles: Giving straight wetting pattern.
- Connection: Flange configuration.
- The Conical spray nozzles give a round hollow wetting pattern and fine spray.
- Connection: Flange configuration.
- Conical spray nozzle with 1/8" NPT male thread: give a round hollow wetting pattern and fine spray. Uniquely designed for straight threading into rigid PVC pressure lines.
- Non Drop conical spray nozzles with 1/8" NPT male thread and a non- drop valve. When pressure will drop below 0.3 bars, the nozzle will close itself.
- Conical spray nozzle with safety - finger filter: the filter will give extra final protection for the nozzles against particles escaped from the main filter.
- Adjustable nozzle: design for domestic use, assembled with Tefen spray wand.
- Nozzle filter: designed to be assembled with Tefen nozzle holders. Filter screen= 100 mesh.
- Non Drop nozzle filter: designed to be assembled with Tefen nozzle holder, when non drop function requires. Filter screen= 100 mesh
- Misting unit: Designed with 2 adjustable arms, to hold 2 flange nozzles
- Was Specially designed for vitrine fruit & vegetables supermarket refrigerators.
- 1/8" female short finger filter: Designed for small hydraulic loops on agriculture and industrial application. Filter screen=100 mesh
- 1/4" long finger filter: Specially designed for an integral filtration of hydraulic control valves. Filter screen= 100 mesh



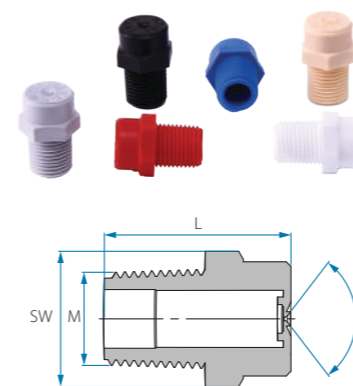
Fan Spray Nozzle

product code	Marking	α Angle	L mm	D	Lit per Min Bar 2	Lit per Min Bar 3	Lit per Min Bar 4	Lit per Min Bar 6	Lit per Min Bar 8	Lit per Min Bar 10	Colour
12210110057	110 005	110 °	12.2	14.8	0.296	0.362	0.417	0.513	0.585	0.658	Green
12210110209	110 02	110 °	12.2	14.8	1.20	1.45	1.70	2.00	2.267	2.533	Yellow
12210110255	110 025	110 °	12.2	14.8	0.623	0.780	0.899	1.106	1.267	1.428	Creme
12210110308	110 03	110 °	12.2	14.8	1.167	1.432	1.649	2.039	2.330	2.620	Blue
12210110406	110 04	110 °	12.2	14.8	1.434	1.760	2.032	2.501	2.857	3.212	Red
12210110503	110 05	110 °	12.2	14.8	1.627	2.027	2.350	2.893	3.315	3.737	Brown
12210165051	65 005	65 °	12.2	14.8	0.38	0.47	0.53	0.66	0.753	0.847	White
12210165052	65 005	65 °	12.2	14.8	0.38	0.47	0.53	0.66	0.753	0.847	Black



Conical Spray Nozzle

product code	Marking	α Angle	L mm	SW	Lit per Min Bar 2	Lit per Min Bar 3	Lit per Min Bar 4	Lit per Min Bar 6	Lit per Min Bar 8	Lit per Min Bar 10	Colour
22210011055	1 105	105 °	11.5	14.5	0.058	0.068	0.078	0.098	0.111	0.125	Creme
22210011057	1 105	105 °	11.5	14.5	0.058	0.068	0.078	0.098	0.111	0.125	Green
22210016502	1 65	65 °	11.5	14.5	0.061	0.074	0.084	0.098	0.110	0.123	Black
22210018001	1 80	80 °	11.5	14.5	0.063	0.078	0.092	0.117	0.135	0.153	White
22210018002	1 80	80 °	11.5	14.5	0.063	0.078	0.092	0.117	0.135	0.153	Black
22210018011	1 80F	80 °	11.5	14.5	0.035	0.042	0.049	0.059	0.067	0.075	Off White
22210018012	1 80F	80 °	11.5	14.5	0.035	0.042	0.049	0.059	0.067	0.075	Black
22210028006	3 80	80 °	11.5	14.5	0.350	0.430	0.520	0.630	0.723	0.817	Red



Conical Spray Nozzle 1/8" NPT

product code	Marking	α Angle	Thread Size	L mm	D	Lit per Min Bar 2	Lit per Min Bar 3	Lit per Min Bar 4	Lit per Min Bar 6	Lit per Min Bar 8	Lit per Min Bar 10	Colour
22210211055	21 105	105 °	1/8"	20.5	12.5	0.063	0.075	0.086	0.108	0.123	0.138	Creme
22210218008	21 80	80 °	1/8"	20	12.5	0.060	0.070	0.080	0.093	0.104	0.115	Blue
22210078001	07 80	80 °	1/8"	20.3	12.5	0.043	0.053	0.060	0.069	0.078	0.086	White
22210078002	07 80	80 °	1/8"	20.3	12.5	0.043	0.053	0.060	0.069	0.078	0.086	Black
22210078003	07 80	80 °	1/8"	20.3	12.5	0.043	0.053	0.060	0.069	0.078	0.086	Grey
22210221202	22 120	120 °	1/8"	20.4	12.5	0.108	0.132	0.152	0.190	0.217	0.245	Black
22210078006	07 80F	80 °	1/8"	19.8	12.5	0.038	0.047	0.054	0.064	0.073	0.081	Red
22210078011	07 80F	80 °	1/8"	19.8	12.5	0.038	0.047	0.054	0.064	0.073	0.081	White
22210078012	07 80F	80 °	1/8"	19.8	12.5	0.038	0.047	0.054	0.064	0.073	0.081	Black
22212201458	220 145	145 °	1/8"	20.0	12.5	0.171	0.207	0.240	0.280	0.327	0.368	Blue



Non Drop Nozzle 1/8" NPT

product code	Marking	Thread Size	α Angle	L mm	Lit per Min Bar 3	Lit per Min Bar 4	Lit per Min Bar 6	Lit per Min Bar 8	Lit per Min Bar 10	Colour
2221211055	21 105	1/8"	105 °	20.5	0.072	0.084	0.106	0.123	0.140	● Creme
2221211052	21 105	1/8"	105 °	20.5	0.072	0.084	0.106	0.123	0.140	● Black
2221218008	21 80	1/8"	80 °	20	0.06	0.074	0.092	0.108	0.124	● Blue
22211078001	07 80	1/8"	80 °	20.3	0.046	0.053	0.069	0.081	0.092	○ White
22211078002	07 80	1/8"	80 °	20.3	0.046	0.053	0.069	0.081	0.092	● Black
22211078003	07 80	1/8"	80 °	20.3	0.046	0.053	0.069	0.081	0.092	● Grey
2221221202	22 120	1/8"	120 °	20.4	0.120	0.142	0.182	0.213	0.244	● Black
22211078006	07 80F	1/8"	80 °	19.8	0.040	0.048	0.062	0.073	0.084	● Red
22211078011	07 80F	1/8"	80 °	19.8	0.040	0.048	0.062	0.073	0.084	○ White
22211078012	07 80F	1/8"	80 °	19.8	0.040	0.048	0.062	0.073	0.084	● Black
22212211458	220 145	1/8"	145 °	20.0	0.168	0.205	0.257	0.313	0.360	● Blue



Conical Spray Nozzle 1/8" NPT with Filter

product code	Marking	Thread Size	α Angle	L mm	Lit per Min Bar 2	Lit per Min Bar 3	Lit per Min Bar 4	Lit per Min Bar 6	Lit per Min Bar 8	Lit per Min Bar 10	Colour
22219211055	21 105	1/8"	105 °	15	0.060	0.070	0.080	0.093	0.104	0.115	● Creme
22219218008	21 80	1/8"	80 °	15	0.060	0.070	0.080	0.093	0.104	0.115	● Blue
22219078001	07 80	1/8"	80 °	15	0.041	0.05	0.057	0.066	0.074	0.083	○ White
22219078002	07 80	1/8"	80 °	15	0.041	0.05	0.057	0.066	0.074	0.083	● Black
22219078003	07 80	1/8"	80 °	15	0.043	0.053	0.060	0.069	0.078	0.086	● Grey
22219221202	22 120	1/8"	120 °	15	0.103	0.124	0.149	0.171	0.194	0.216	● Black
22219078006	07 80F	1/8"	80 °	15	0.040	0.046	0.053	0.061	0.068	0.075	● Red
22219078012	07 80F	1/8"	80 °	15	0.040	0.046	0.053	0.061	0.068	0.075	● Black



High Flow Nozzle

product code	Marking	α Angle	Thread Size	Lit per Min Bar 2	Lit per Min Bar 3	Lit per Min Bar 4	Lit per Min Bar 6	Colour
22210311055	31 105	105 °	1/8"	0.084	0.096	0.118	0.120	● Creme
*22219311055	31 105	105 °	1/8"	0.080	0.090	0.102	0.110	○ White
22210211051	21 105	105 °	1/8"	0.084	0.096	0.118	0.120	
*22219211051	21 105	105 °	1/8"	0.080	0.090	0.102	0.110	

* With filter

Accessories for Nozzles

product code	Product
38000000054	PVC Protector Cap for Nozzle
37212793200	Cap Strainer 200 mesh

The PVC Cap protects the delicate upper nozzle crown from external mechanical damage.

Spraying and Fogging Nozzles

ACETAL



Adjustable Nozzle

group id	product code	Name	Colour
201	22214200001	Adjustable Nozzle	○ White



Nozzle Filter

product code	Mesh	Colour	L mm	Colour
22212791100	100		21.1	○ White
*22212791000	100	Red	21.1	

* non drop



Push-in Fitting Adaptor for 1/8" Nozzle

product code	Stem D	Inner Thread	Colour
22211502061	3/8"	1/8" NPT	○ White
22211502062	3/8"	1/8" NPT	● Black



Misting Unit Mark 1

product code	R1	R2	SW1	SW2	SW3	Colour
222729T0101	1 1/16" NC	1/4" NPT	175	16	175 mm	○ White
222729T0102	1 1/16" NC	1/4" NPT	175	16	175 mm	● Black



Valve Release / Drain Valve

product code	Thread BSPT	Colour
22273008002	1/2"	● Black
22273108002	1/2"	

Valve release: Valve installed vertically upwards on the highest point. Functions as Anti-Vacuum (syphon) valve (CAT. No. 22273008002).
Drain Valve with stainless spring. Valve installed at pipe end. For automatic drainage of condensed water in compressed-air lines, after shut-off of compressedair supply. (CAT. No. 22273108002)

POLYPROPYLENE



Finger Filter

product code	ID	Length	SW	Mesh	Colour
22212002028	1/8" BSPT	30.3	14	100	● Blue Short
22212791028	1/8" BSPT	43.8	14	100	● Blue Long

product code	ID	OD	Length	SW	Mesh	Colour
**22212791002	1/8" NPT	1/4" NPT	48.3	14	100	● Black

** speical design for control valves



NUT 11/16" FOR NOZZLE

product code	Type
32272900082	1 1/16" NC



1/4" FEMALE STRAIGHT NOZZLE HOLDER

product code	R1	R2
32210300042	1 1/16" NC	1/4" NPT



1/4" MALE STRAIGHT NOZZLE HOLDER

product code	R1	R2
32212200042	1 1/16" NC	1/4" NPT



1/4" FEMALE 135° NOZZLE HOLDER CAT. NO.

product code	R1	R2
32210000040	1 1/16" NC	1/4" NPT



Air Blow Gun

With a general purpose nozzle

product code	Type
22200004022	1/4" female
22200011052	1/4" male



Air Blow Gun

With an osha regulation safety nozzle

product code	Type
22200004012	1/4" female
22200011082	1/4" male



Air Blow Gun

with an air screen nozzle to deflect flying chips away from operator

product code	Type
22200004032	1/4" female
22200011062	1/4" male



Air Blow Gun

with a restriction nozzle to regulate output air volume

product code	Type
22200004042	1/4" female
22200011072	1/4" male



Air Blow Gun Mark II

product code	Nozzle Type mm
22240000060	6 nozzle



Air Blow Gun Mark III

product code
22230000000



Spray Gun

product code	End connector inch
22210004002	1/4" female
22210011003	1/4" male



8 mm Nylon Retractable Coil

product code	Length
24050505058	5 feet
24050505108	10 feet
24050505158	15 feet



Spray Gun - Iodine

product code	End connector inch
22210004004	1/4" female

